

1491

WiFi Connectivity Test Package



Highlights

- Unique test tool for most WiFi-enabled devices
- Can be combined with smartphone testing, or used as a standalone solution
- Easy to use
- Software provides clear Pass/Fail verdict
- Test protocol with MAC address, transmit and receive parameters

Ensuring the Wireless LAN Capability of WiFi-Enabled Devices

Smartphones are getting more and more popular – even the usage of WiFi by login to local Wireless LAN networks. In some applications the WiFi capability is more important than the cellular connection. The 1491 WiFi Connectivity Test Package is the first cost-efficient appliance for testing WiFi devices and routers with the same equipment. An easy to use test system can be established to test the cellular and WiFi capabilities of smartphones. Such a test system would consist

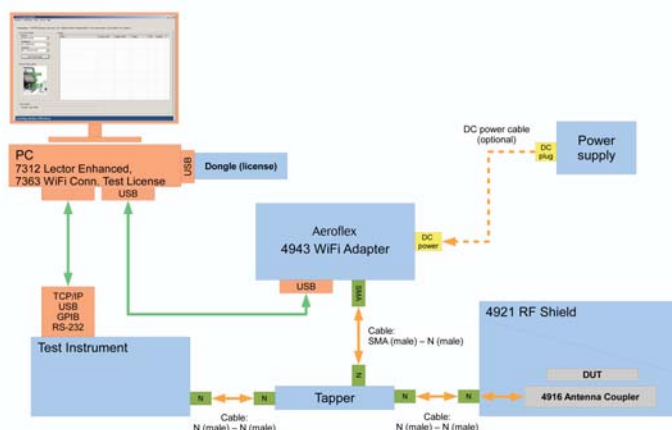
of Aeroflex's 1491 WiFi Connectivity Test Package, the 7310 Lector-Scriptor software, the 4921 RF Shield, the 4916 Antenna Coupler and an RF tester such as the 2201 ProLock.

Testing WiFi Devices

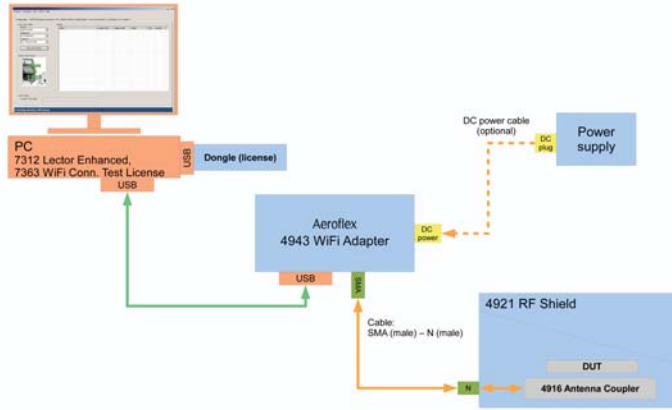
Lector or Scriptor can check the performance to determine if the WiFi device is connecting well. A few measurements are quickly done, increasing the overall test time of the mobile phone only insignificantly. A test protocol will help to keep records of the WiFi parameter test. Any WiFi device can be tested; it is also possible to determine important WiFi parameters in a standalone test station (for devices other than mobile phones) or together with Bluetooth® using the 4941 Bluetooth® Connectivity Test Package.

... And WiFi Routers

Wireless LAN routers may be standalone, built into triple-play set-top boxes or combined with cellular network access for multiple users. All these devices can be tested with Aeroflex's WiFi adapter and Lector; this software can also control RF tests on the cellular device if a mobile phone tester from Aeroflex is connected.



Test Setup for Combined WiFi and Cellular Testing



Test Setup for Standalone WiFi Testing

SPECIFICATIONS

Supported Tests

MAC Address
TX Power
Packet Error Rate over TX and RX
BSSID, Encryption Mode (router tests)

Networks

802.11b/g @ 2.4 GHz

Connectors

- DC Power Supply 5 to 15 V
- USB Interface Type B
- RF Connection SMA (female)

Size

37 x 32 x 10 mm (1.5 x 1.3 x 0.4")

Scope of Delivery

1491 WiFi Connectivity Test Package contains:

- 4943 WiFi Adapter
- 7363 WiFi Connectivity Test License
- Tapper DN-14FN, 1000:1

- N (male) – SMA (male) RF Cable
- N (male) – N (male) RF Cable
- USB Cable

ORDERING DETAILS

4943 WiFi Adapter	AG 860 481
1491 WiFi Connectivity Test Package	AG 248 499
Power Supply for 4943 WiFi Adapter (needed when using passive USB hubs)	
• EU Version	AG 860 554
• USA Version	AG 860 555
• UK Version	AG 860 556
7363 WiFi Connectivity Test License	AG 897 336
Tapper DN-14FN, 1000:1	AG 896 127
N (male) – SMA (male) RF Cable	AG 382 882

CHINA Beijing

Tel: [+86] (10) 6539 1166
Fax: [+86] (10) 6539 1778

CHINA Shanghai

Tel: [+86] (21) 5109 5128
Fax: [+86] (21) 5150 6112

CHINA Shenzhen

Tel: [+86] (755) 3301 9358
Tel: [+86] (755) 3301 9356

FINLAND

Tel: [+358] (9) 2709 5541
Fax: [+358] (9) 804 2441

FRANCE

Tel: [+33] 1 60 79 96 00
Fax: [+33] 1 60 77 69 22

GERMANY

Tel: [+49] 8131 2926-0
Fax: [+49] 8131 2926-130

HONG KONG

Tel: [+852] 2832 7988
Fax: [+852] 2834 5364

INDIA

Tel: [+91] 80 [4] 115 4501
Fax: [+91] 80 [4] 115 4502

KOREA

Tel: [+82] (2) 3424 2719
Fax: [+82] (2) 3424 8620

SCANDINAVIA

Tel: [+45] 9614 0045
Fax: [+45] 9614 0047

UK Stevenage

Tel: [+44] (0) 1438 742200
Fax: [+44] (0) 1438 727601
Freephone: 0800 282388

USA

Tel: [+1] (316) 522 4981
Fax: [+1] (316) 522 1360
Toll Free: 800 835 2352

As we are always seeking to improve our products, the information in this document gives only a general indication of the product capacity, performance and suitability, none of which shall form part of any contract. We reserve the right to make design changes without notice. All trademarks are acknowledged. Parent company Aeroflex, Inc. ©Aeroflex 2010.

www.aeroflex.com
info-test@aeroflex.com



Our passion for performance is defined by three attributes represented by these three icons: solution-minded, performance-driven and customer-focused.