

## Model 1439 High Power Coaxial Termination

dc to 2.5 GHz  
150 Watts

### Convection Cooled



#### MAXIMUM SWR\*:

Frequency (GHz)	SWR
dc - 2.5	1.20

### Features

- /// **Compact Construction** - Lowest size/power ratio.
- /// **Flexible Mounting Position** - The units may be mounted in horizontal (fins up) or vertical position.
- /// **Rugged Construction** - Quality connector with special high temperature support bead.

### Specifications

**NOMINAL IMPEDANCE:** 50 Ω  
**FREQUENCY RANGE:** dc to 2.5 GHz  
**PHYSICAL DIMENSIONS:**

**POWER RATING:** 150 watts average (mounted horizontally or vertically assuming unobstructed air flow and natural convection around unit), 10 kilowatts peak (5 μsec pulse width; 0.75% duty cycle). Case temperature must be held to **100°C maximum**.

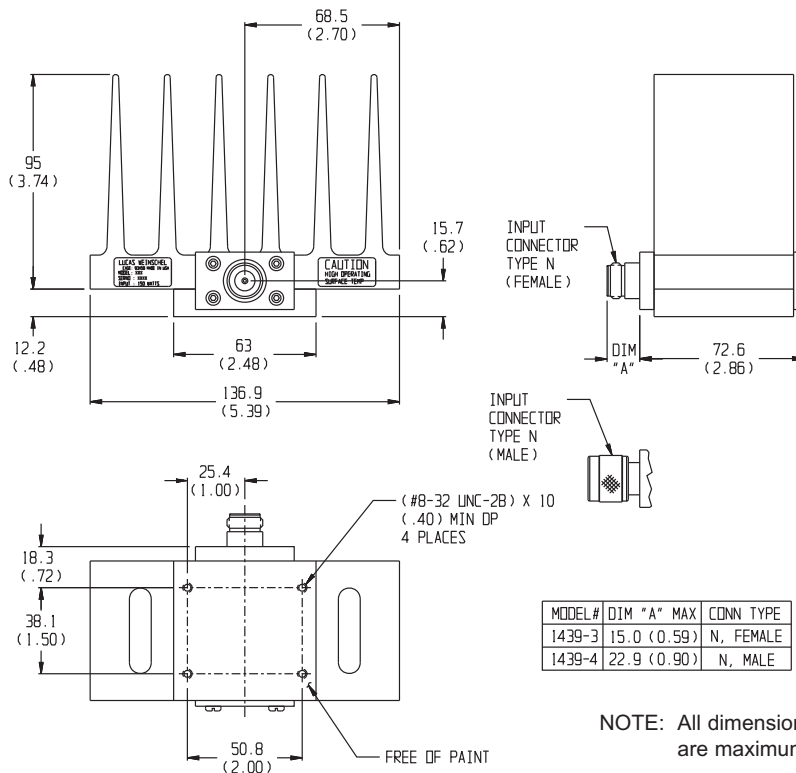
**TEMPERATURE RANGE:** -55°C to 100°C case

**TEST DATA:** SWR Testing performed across the frequency band. Test data is available at additional cost.

**CONNECTOR:** Type N connector per MIL-STD-348 interface dimensions - mate nondestructively with MIL-C-39012 connector. Choice of male (-4) or female connector (-3).

**CONSTRUCTION:** Black, finned aluminum body, stainless steel connector; gold plated beryllium copper female contact or stainless steel male contact.

**WEIGHT:** 850 g (1 lb, 14 oz)



NOTE: All dimensions are given in mm (inches) and are maximum, unless otherwise specified.