

# Fixed Coaxial Attenuators



## Model 56 Fixed Coaxial Attenuator

dc to 28.0 GHz  
2 Watts

3.5mm Connectors



### Features

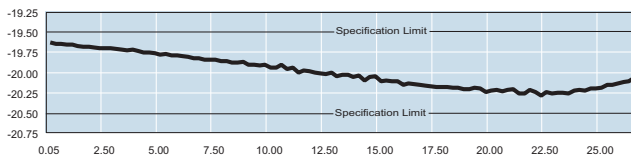
- /// Precision 3.5mm Connectors.
- /// Low SWR & Flat Response.

### Specifications

**NOMINAL IMPEDANCE:** 50 Ω

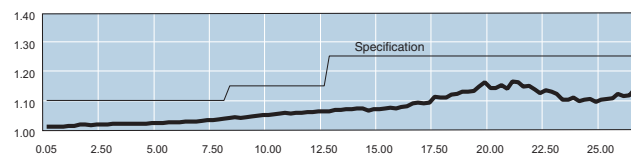
**FREQUENCY RANGE:** dc to 28.0 GHz

MAXIMUM DEVIATION OVER FREQUENCY (dB):	
Nominal ATTN (dB)	DEVIATION (dB)
0	+ 0.50
3, 6, 10	± 0.60
20, 30	± 0.75



Typical Attenuation Accuracy of a 56-20

MAXIMUM SWR:	
Frequency (GHz)	SWR
dc - 8	1.10
8 - 12.4	1.15
12.4 - 28	1.25



Typical SWR of a 56-20

**POWER RATING:** 2 watts **average** to 25°C ambient temperature, derated linearly to 0.2 watts at +100°C. 500 watts **peak** (5 μsec pulse width; 0.05% duty cycle).

**POWER COEFFICIENT:** < 0.004 dB/dB/watts

**TEMPERATURE COEFFICIENT:** < 0.0004 dB/dB/°C

**TEMPERATURE RANGE:** -55 °C to +100 °C.

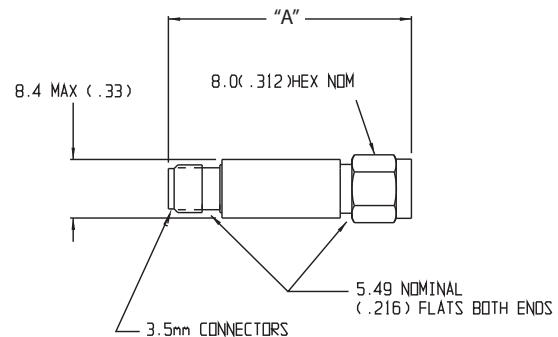
**TEST DATA:** Insertion Loss and SWR Testing performed across frequency range. Test data available at additional cost.

**CONNECTORS:** 3.5mm connectors - contact pin recession (0 to -0.003 in).

**CONSTRUCTION:** Stainless steel body and connectors; gold plated beryllium copper contacts.

**WEIGHT:** 8 g (0.28 oz) maximum

**PHYSICAL DIMENSIONS:**



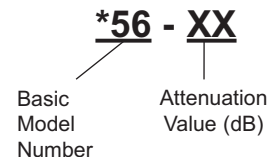
Model	DIM A
56	32.5±0.5 (1.275±0.002)
F56	35.9±0.5 (1.415±0.002)
M56	29.0±0.5 (1.140±0.002)

NOTE:

1. All dimensions are given in mm (inches) and are maximum, unless otherwise specified.
2. Unit available with RoHS compliant materials, specify when ordering.

**MODEL NUMBER DESCRIPTION:**

**Example:**



\* Add Prefix M for double male and F for double female connectors.

**ATTENUATOR SET (AS-20):** Model 56 is also available in a Attenuator Set which includes five different attenuators (3, 6, 10, 20, 30 dB). Refer to Attenuator Sets data sheet for more information.