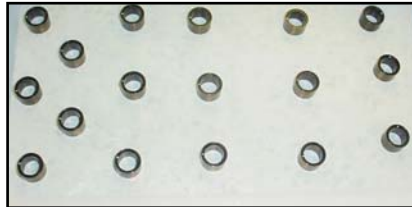
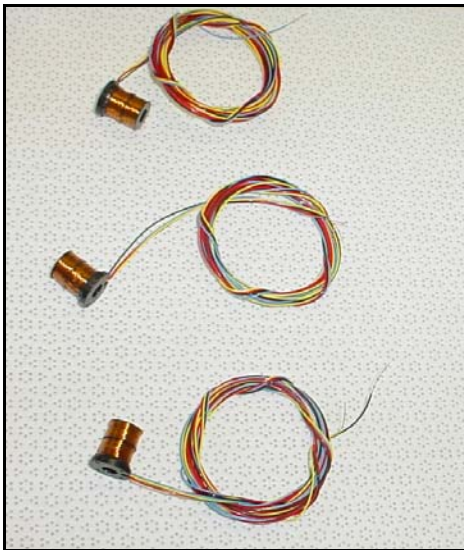
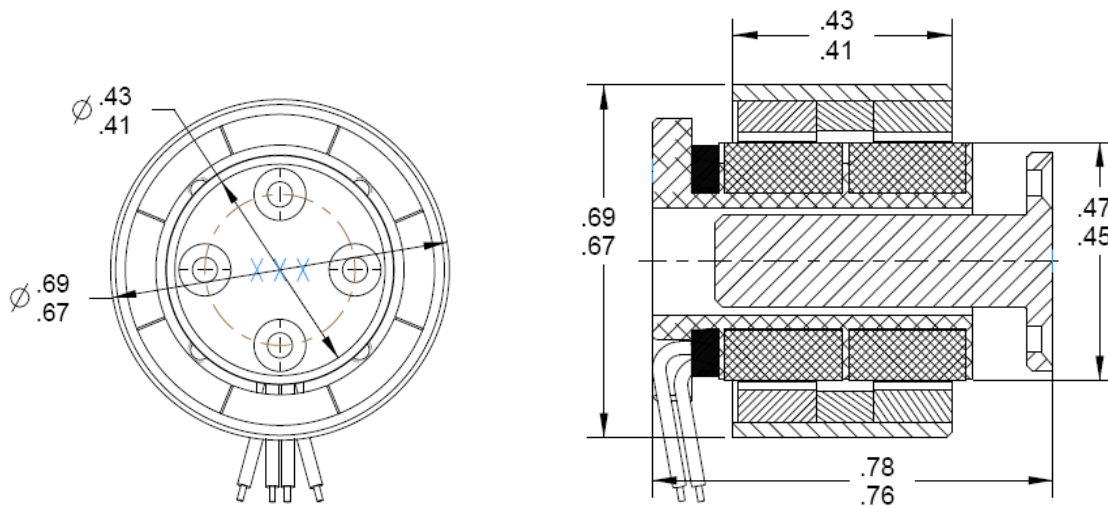


Linear Voice Coil Actuator PN 1628I



Specification	Value	Units	Basis
Stroke	±0.035	inches	Nominal
Force Constant	7.2	in-oz	Minimum
Displacement Sensitivity	45.583	μinches/mv	Nominal
Operating Voltage	0.042	VDC	Nominal
Resistance	16.8	ohms	± 10 %
Weight	0.7	ounces	Nominal



For the very latest specifications visit www.aeroflex.com/Motion