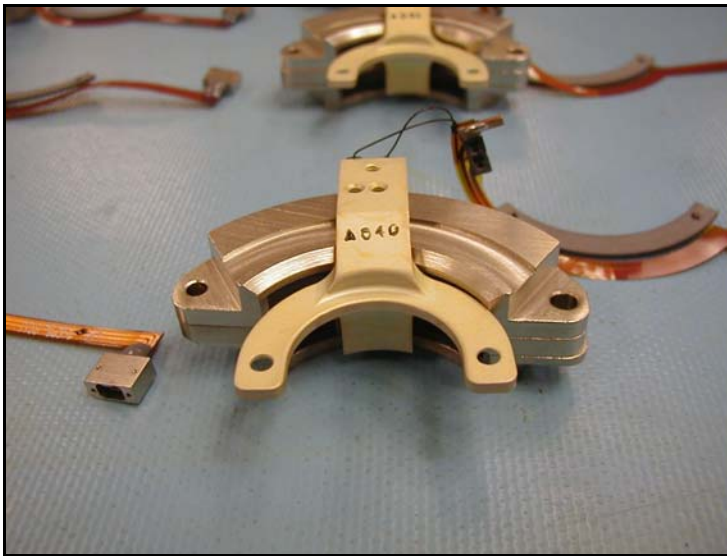
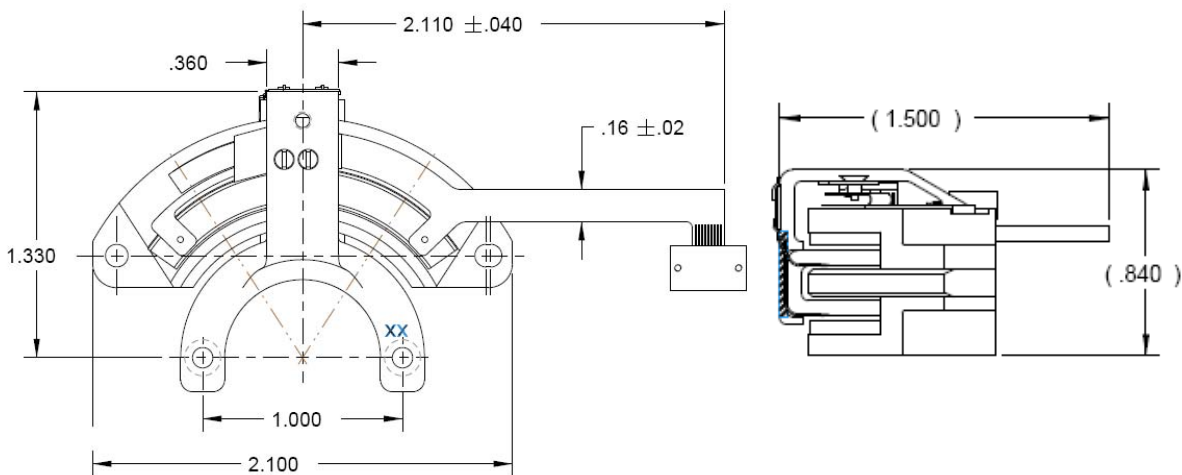


Rotary Voice Coil Actuator PN 16257



Specification	Value	Units	Basis
Range of Motion	±33	degrees	Nominal
Kt	10	in-oz/amp	Nominal
Peak Torque	6.4	in-oz	Minimum
Operating Voltage	20	VDC	Nominal
Resistance	20	ohms	± 10 %
Km	2	in-oz/√w	Nominal
Weight	0.17	pounds	Nominal



For the very latest specifications visit www.aeroflex.com/Motion