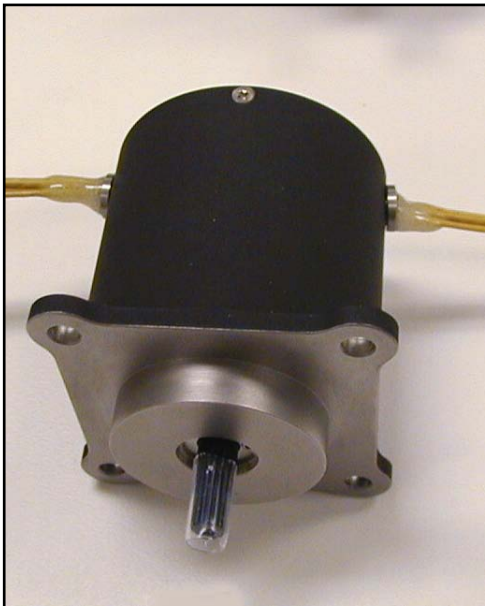
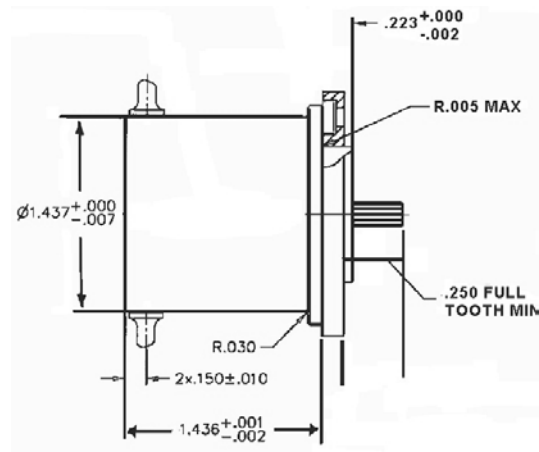
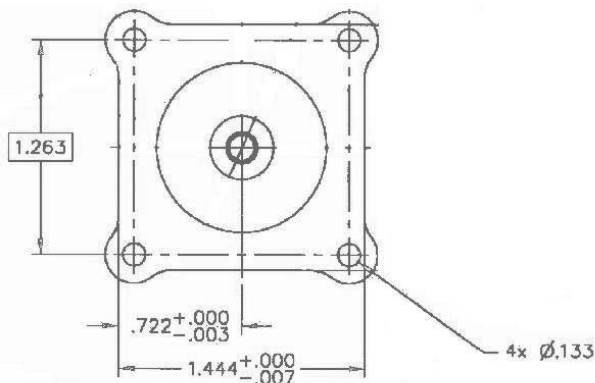


# Size 15 Unipolar Stepper Motor



Specification	-201	-202	Units	Basis
Step Angle	90	90	degrees	Nominal
Step Rate	150	150	pps	Maximum
Voltage	24	12	VDC	Nominal
Power	8.5	8.5	watts	Nominal
Km	0.75	0.75	in-oz√watts	Nominal
Running Torque	1.2	1.2	in-oz	Minimum
Holding Torque Kt	6.25	3.1	in-oz/amp	Nominal
Holding Torque	2.2	2.2	in-oz	Minimum
Unpowered Torque	0.55	0.55	in-oz	Minimum
Phase Resistance	68	17	ohms	Nominal
Phase Inductance	17	5.6	mH	Nominal
Number of Phases/Poles	4/2	4/2	phase/poles	By Design
Redundant Windings	Yes	Yes	windings	By Design
Weight	0.5	0.5	pounds	Nominal



For the very latest specifications visit [www.aeroflex.com/Motion](http://www.aeroflex.com/Motion)