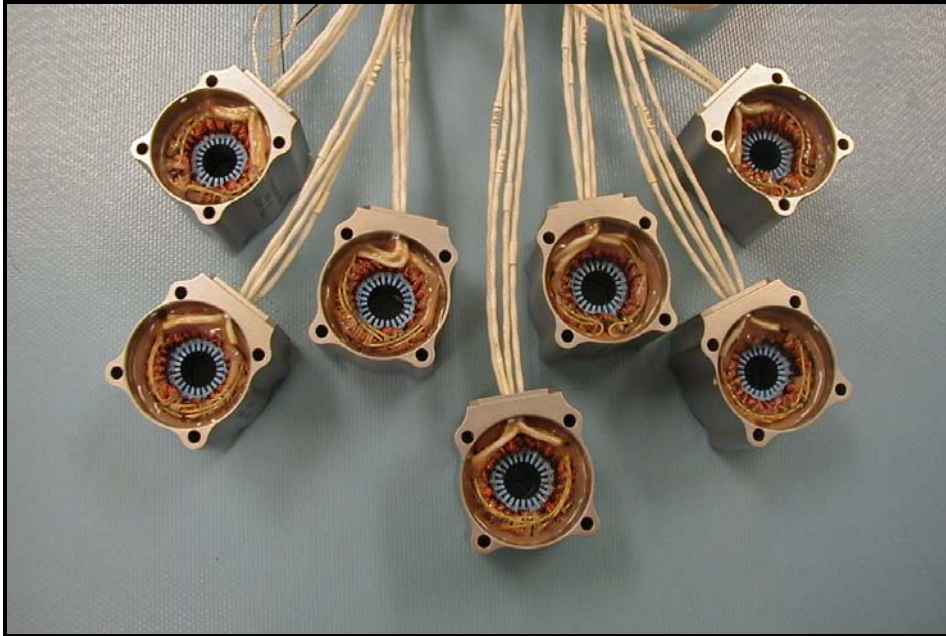
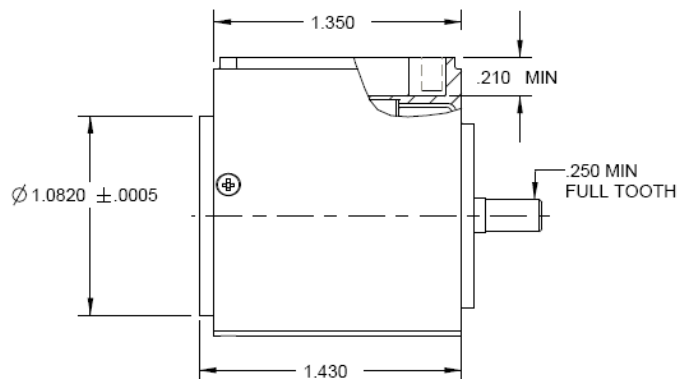
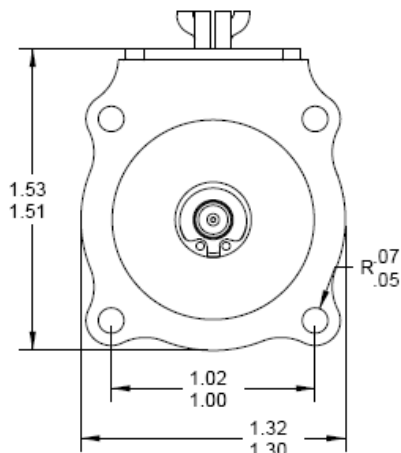


## Size 13 Bipolar Stepper Motor



**AEROFLEX**  
A passion for performance.

Specification	Value	Units	Basis
Step Angle	15	degrees	Nominal
Step Rate	500	pps	Maximum
Voltage	25	VDC	Nominal
Power	8.5	watts	Nominal
Km	1.24	in-oz $\sqrt$ watts	Nominal
Running Torque	1.27	in-oz	Minimum
Holding Torque Kt	10.5	in-oz/amp	Nominal
Holding Torque	3.6	in-oz	Nominal
Unpowered Torque	0.12	in-oz	Nominal
Phase Resistance	73	ohms	Nominal
Phase Inductance	54	mH	Nominal
Number of Phases/Poles	2/12	phase/poles	By Design
Redundant Windings	Yes	windings	By Design
Weight	0.625	pounds	Nominal



For the very latest specifications visit [www.aeroflex.com/Motion](http://www.aeroflex.com/Motion)