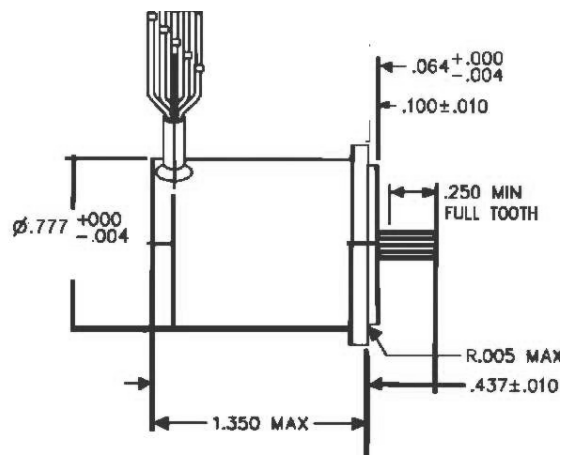
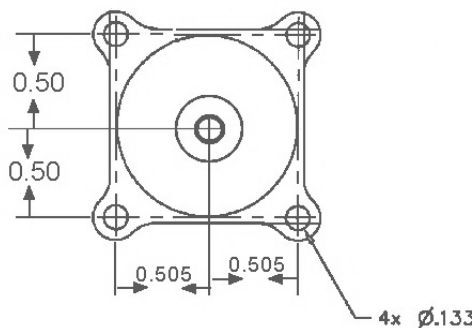


Size II Bipolar 90 Degree Stepper Motor



Specification	-101	-102	-201	-202	Units	Basis
Step Angle	90	90	90	90	degrees	Nominal
Step Rate	150	150	150	150	pps	Maximum
Voltage	34	17	24	12	VDC	Nominal
Power	8.5	8.5	8.5	8.5	watts	Nominal
Km	1.0	1.07	0.76	0.76	in-oz√watts	Nominal
Running Torque	1.2	1.2	1.2	1.2	in-oz	Minimum
Holding Torque Kt	12.5	6.25	6.25	3.1	in-oz/amp	Nominal
Holding Torque	3.1	3.1	2.2	2.2	in-oz	Minimum
Unpowered Torque	0.55	0.55	0.55	0.55	in-oz	Minimum
Phase Resistance	135	34	68	17	ohms	Nominal
Phase Inductance	31	8	15.4	5.6	mH	Nominal
Number of Phases/Poles	2/2	2/2	2/2	2/2	phase/poles	By Design
Redundant Windings	No	No	Yes	Yes	windings	By Design
Weight	0.35	0.35	0.35	0.35	pounds	Nominal



For the very latest specifications visit www.aeroflex.com/Motion