

capsule slip ring assemblies

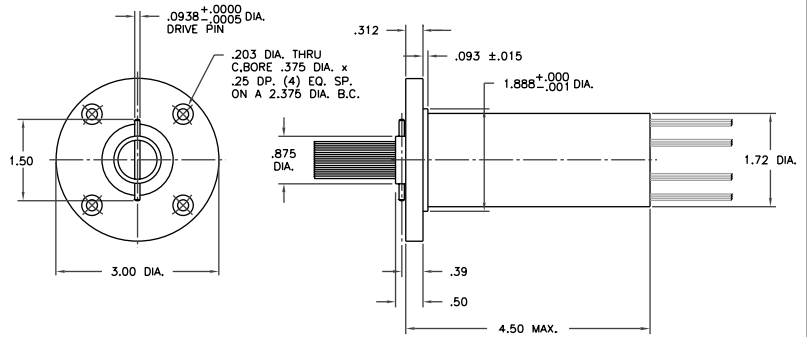
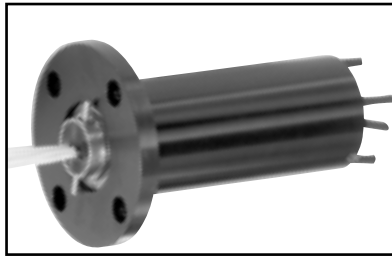
CAY-150

DIGITAL DATA



These assemblies, specially designed for gyro-rate table and centrifuge applications, have found wide use because of their versatility and compact size. The standard assembly can be supplied (at a slightly higher cost) with internally shorted rings for double and triple current ratings, and with single, double, and triple shielded wire. Featuring gold alloy wire brushes and compatible gold rings, these assemblies are manufactured from proven production tooling at a very nominal cost. Special assemblies with switching circuits and other assemblies with non-standard materials for use in severe environments are available.

Compatible with Modern Data Transmission Cables



M E C H A N I C A L

1. Contacts: Gold on gold
2. Ball Bearings: Stainless steel
3. Shaft: Stainless steel, type 303
4. Housing: Aluminum
5. Torque:
 - 12 ring assembly
1.5 in. – oz. maximum
 - 24 ring assembly
3.0 in. – oz maximum
 - 36 ring assembly
4.5 in – oz. maximum
 - 48 ring assembly
6.0 in. – oz. maximum
6. Speed: 750 rpm maximum – intermittent
7. Life: 2000 hours @ 100 rpm
8. Rotation: Bi-directional

E L E C T R I C A L

1. Current: Signal level to 2.0 amp/ring standard. Higher ratings available.
2. Voltage: 400 vdc maximum
3. Dielectric Strength: 1000 Volts rms (all combinations).
4. Contact Resistance:
 - A. Less than 8 milliohms @200 rpm
 - B. Less than 2 milliohms @10 rpm
5. No. of Rings: 48 maximum
6. Leadwire: #28 awg 18" long. Shielded cables available.

NOTE: THE TABLE BELOW SHOWS SIMILAR MODELS THAT ARE AVAILABLE.

PART NO.	DIA.	RINGS	LENGTH
CAY-1117	1.72"	72	6.0"
CAY-1248	1.87"	96	8.0"
DAY-1481-1	2.75"	80	4.29"
DAY-1481-2	2.75"	170	8.66"
DAY-1481-3	2.75"	235	11.50"

ORDERING INFORMATION:

CAY-150 –



No. Of Rings
(48 Maximum)

