

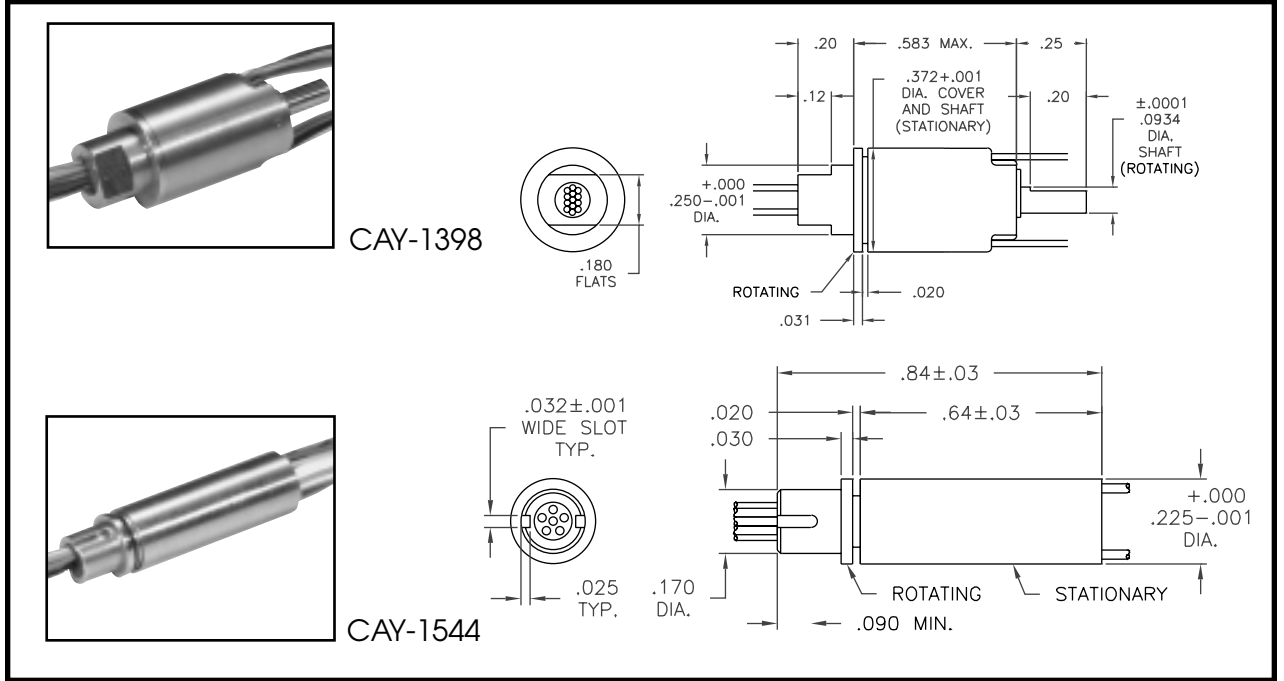
sub-miniature capsule slip ring assemblies

CAY-1398
CAY-1544

SUB-MINIATURE



These sub-miniature capsules have been used extensively in test probes and in gyros. Each capsule has been engineered to sustain high rates of speed without loss of signal quality, and though miniature in size, these units are rugged enough to meet most military environmental specifications. A standard model CAY-1398 can be supplied with a switching circuit that will provide an electrical pulse(s) for timing or positioning. These models have been in production for years and are generally available from stock or with minimal leadtime.



M E C H A N I C A L

CAY-1398

1. Contacts: Gold on gold
2. Bearings: Precision ball bearings
3. Dielectric Material: High grade epoxy
4. Torque: .20 in.-oz. maximum (12 rings)
5. Speed: 1000 rpm maximum, intermittent
6. Life: 30×10^6 revs min. @ 100 rpm
7. Rotation: Bi-directional
8. Frame: Stainless steel

E L E C T R I C A L

1. No. of Rings: 12 maximum
2. Current: 1 amp maximum
3. Voltage: up to 150 volts
4. Dielectric Strength: 500 vrms, all combinations
5. Contact Resistance Variation: Less than 10 milliohms
6. Leadwire: #30 awg, teflon insulated.

M E C H A N I C A L

CAY-1544

1. Contacts: Gold on gold
2. Bearings: Precision ball bearings
3. Dielectric Material: High grade epoxy
4. Torque: .30 in.-oz. maximum (12 rings)
5. Speed: 390 rpm maximum, intermittent
6. Life: 10×10^6 revs min. @ 100 rpm
7. Rotation: Bi-directional
8. Frame: Stainless steel

E L E C T R I C A L

1. No. of Rings: 12 maximum
2. Current: .5 amp maximum
3. Voltage: up to 75 volts
4. Dielectric Strength: 500 vrms, (all combinations).
5. Contact Resistance Variation: Less than 10 milliohms
6. Leadwire: #30 awg, teflon insulated.