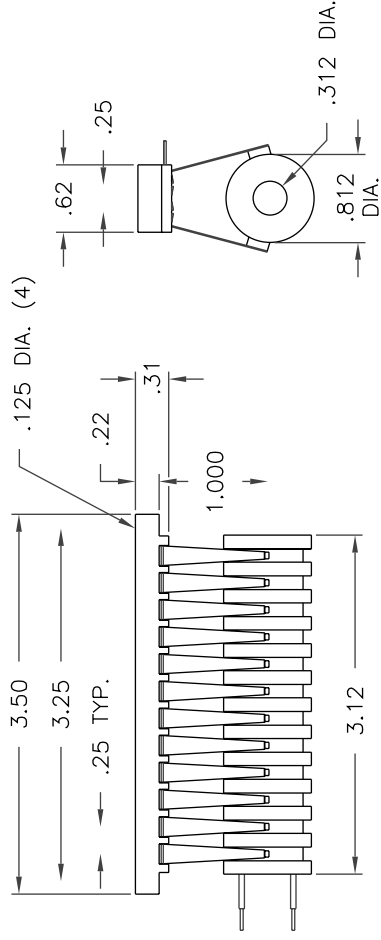


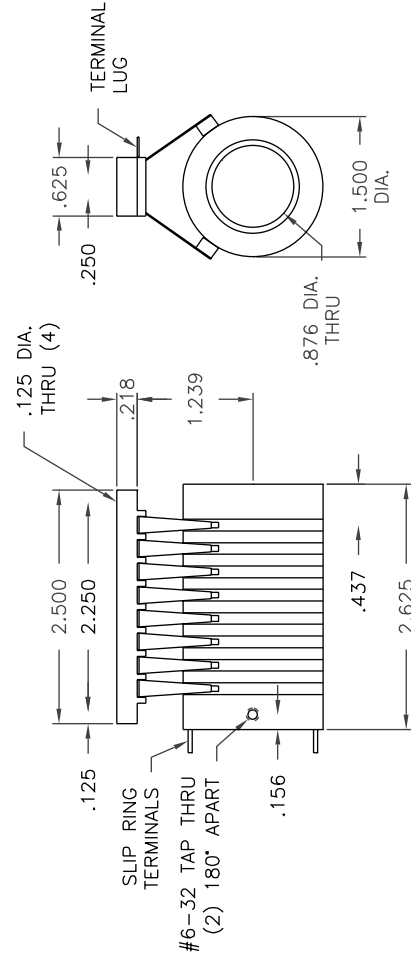
18 Circuits @ 0-2 amps
Part No. 2400118-018

STACKABLE
.437 BORE



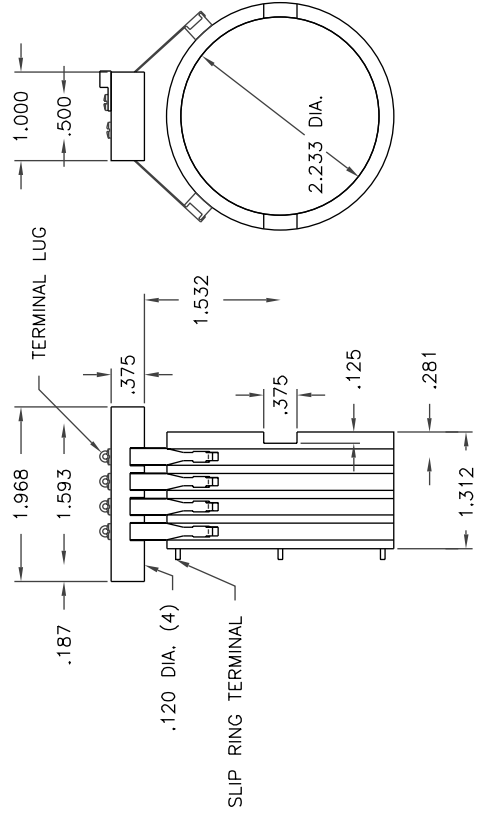
12 Circuits Max. @ 0-5 amp
Part No. 2400104-012

HIGH SPEED
.312 BORE



8 Circuits Max. @ 0-5 amp
Part No. 2400097-008

HIGH SPEED
.876 BORE



4 Circuits Max. @ 0-10 amp
Part No. 2400103-001

POWER
2.233 BORE