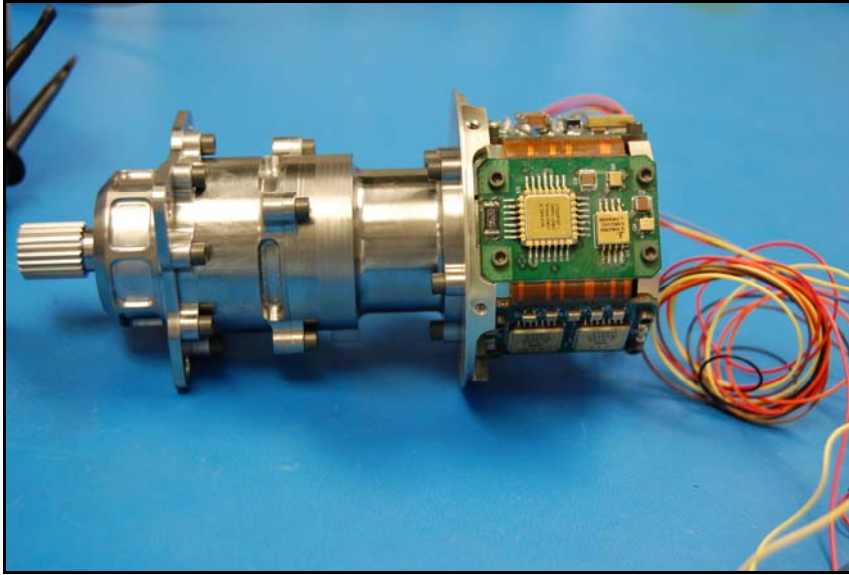
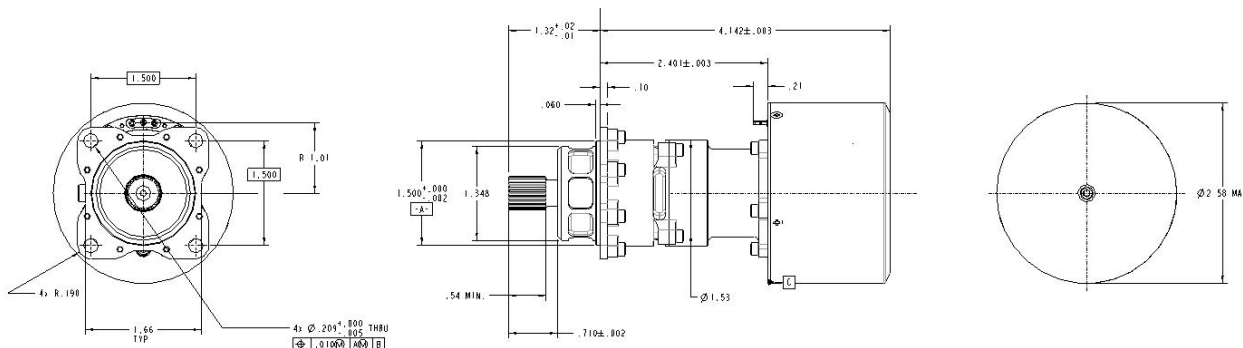


Brushless DC Motor with Gearhead PN 16434



Specification	Value	Units	Basis
Gear Ratio	3954:1	ratio	By Design
Stall Torque	320	in-lb	Minimum
Operating Torque	60	in-lb	Nominal
Output Speed	0.86	rpm	Nominal
Backlash	5	degrees	Maximum
Weight	1.5	pounds	Nominal

Motor Specification	Value	Units	Basis
Voltage	23	VDC	Nominal
Power	3.5	watts	Maximum
Km	1.2	in-oz $\sqrt{\text{watt}}$	Nominal
Kt	7.55	in-oz/amp	Minimum
Phase Resistance	39	ohms	Nominal
Phase Inductance	75	μH	Nominal
Phases/Poles	3/6	phases/poles	By Design
Redundant Windings	No	windings	By Design



For the very latest specifications visit www.aeroflex.com/Motion