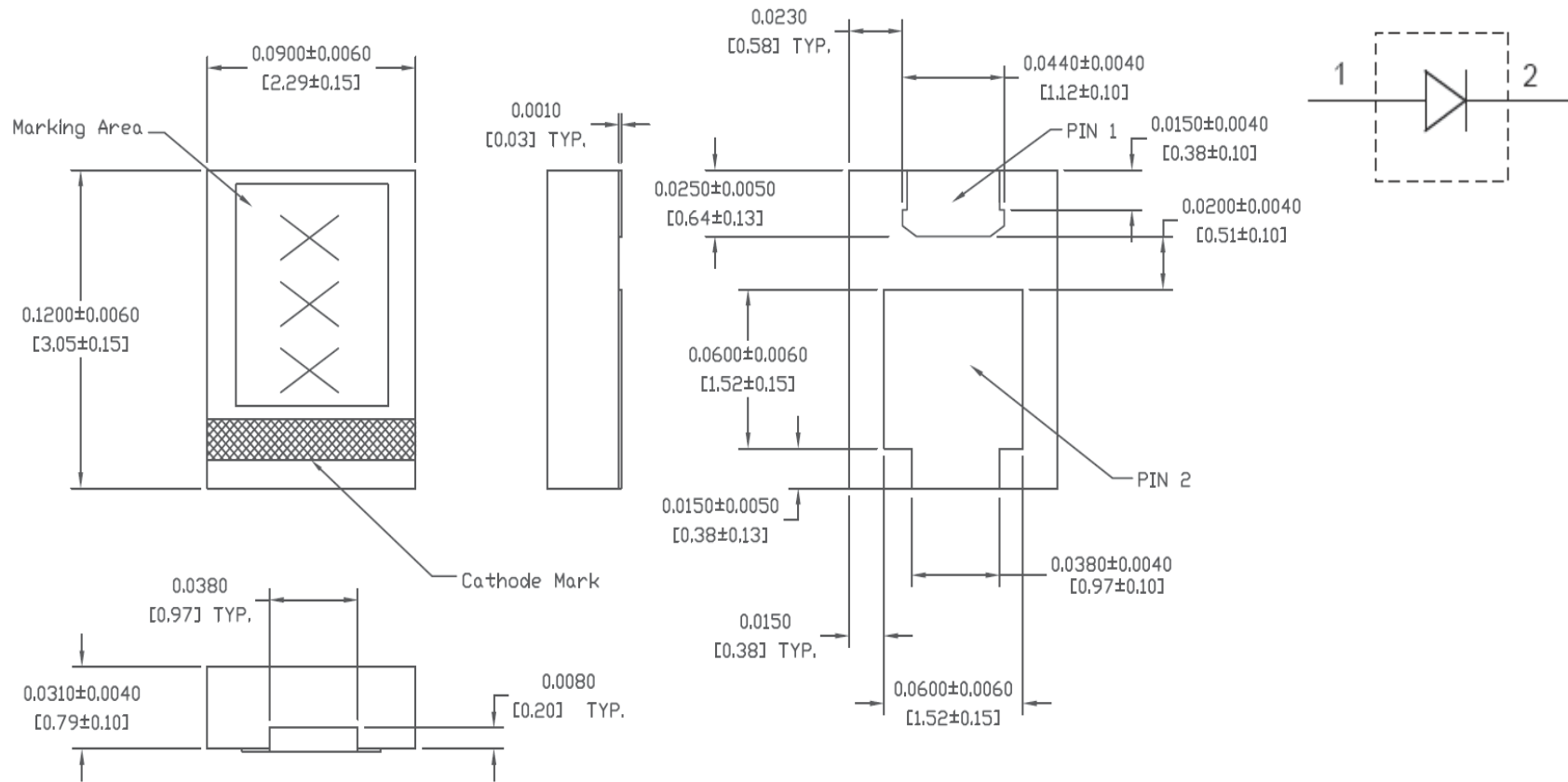


# 3023



Finish: 300 micro inches matte Tin, annealed 1 hour 150° C

Dimensions in mils [mm]