



S5X1R

SWITCH

SINGLE-POLE, FIVE-THROW REFLECTIVE

| | | |
|------------------------------|--------|-------|
| Frequency Range (min) | 8 – 10 | GHz |
| Insertion Loss (max) | 2.1 | dB |
| VSWR (max) | 1.7 | ratio |
| Isolation (min) | 65 | dB |
| Switching speed (max) | 100 | nsec |
| CW RF power, operating (max) | 0.5 | W |

NOTES:

| | | | |
|-----------------------|---|---------------------------------|---|
| DC Bias: (Standard) | +5V +/-0.5V @ 200mA max -15V +/-3V @ 50mA max | Three-line control: (-3 option) | E3 E2 E1 Low loss path |
| DC Bias: (-5 option) | +5V +/-0.5V @ 250mA max -5V +/-0.5V @ 60mA max | | 0 0 0 J2 – J1 0 0 1 J3 – J1 0 1 0 J4 – J1 |
| DC Bias: (-12 option) | +15V +/-3V @ 200mA max -15V +/-3V @ 50mA max | | 0 1 1 J5 – J1 1 0 0 J6 – J1 1 0 1 All off 1 1 0 All off 1 1 1 All off |
| Control: (Standard) | TTL 0 = Low Loss TTL 1 = Isolation | | |
| | E1 controls J2 – J1 E2 controls J3 – J1 E3 controls J4 – J1 E4 controls J5 – J1 E5 controls J6 – J1 | | |

MECHANICAL SPECIFICATIONS:

Case Style: S5 Outline (Standard logic)
S5-3 Outline (Three-line logic)
Finish: Gold plate per MIL-G-45204, Chem film per MIL-C-5541
Connectors: SMA Female per MIL-C-39012
Bias & Control Pins: $\varnothing 0.02''$ x 0.15'' long
Weight: 60g max
Mounting: $\varnothing 0.10''$ through holes (2) places

Switching speed is defined as 50%TTL to 90% (t-on) and 50%TTL to 10%RF (t-off).

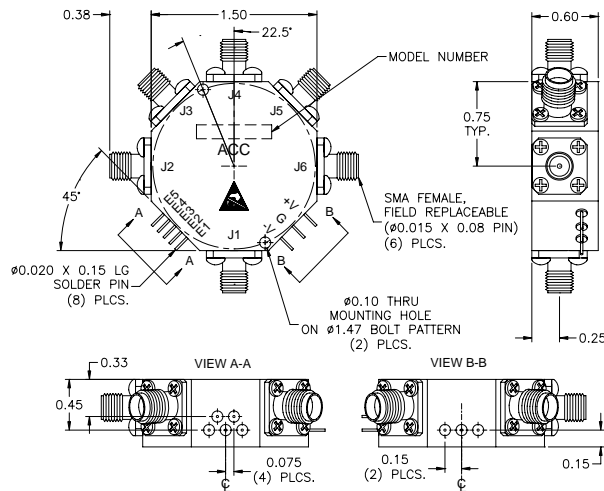
ENVIRONMENTAL SPECIFICATIONS:

MIL-E-5400, MIL-STD-202, MIL-E-16400
Operating Temp: -55°C to +85°C
Storage Temp: -65°C to +125°C
Humidity: MIL-STD-202F, M103, Cond B
Shock: MIL-STD-202F, M213, Cond B
Altitude: MIL-STD-202F, M105, Cond B
Vibration : MIL-STD-202F, M204, Cond B
Thermal Shock: MIL-STD-202F, M107, Cond A
Temperature Cycle: MIL-STD-202F, M105C, Cond D

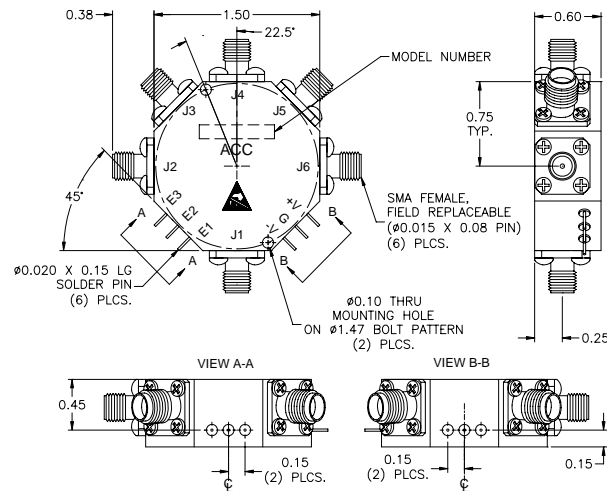
SCREENING:

Internal Visual per MIL-STD-883, Method 2017
Temperature Cycle: -65°C to +100°C, 10 cycles

Hermetically-sealed switches are fine and gross leak checked per MIL-STD-883, Method 1014.



OUTLINE CASE STYLE S5



OUTLINE CASE STYLE S5-3

PART NUMBER ORDERING INFORMATION:

- Add "-RC" suffix: RoHS-compliant
- Add "-5" suffix: +/-5V DC supplies
- Add "-5-RC" suffix: +/-5V DC supplies, RoHS-compliant
- Add "-12" suffix: +/-12V to 18V DC supplies
- Add "-12-RC" suffix: +/-12V to 18V DC supplies, RoHS-compliant
- Add "-3": Three-line logic control
- Add "-3-RC": Three-line logic control, RoHS-compliant
- Add "-3-5" suffix: Three-line logic control, +/-5V DC supplies
- Add "-3-5-RC" suffix: Three-line logic control, +/-5V DC supplies, RoHS-compliant
- Add "-3-12" suffix: Three-line logic control, +/-12V to 18V DC supplies ECL logic input
- Add "-3-12-RC" suffix: Three-line logic control, +/-12V to 18V DC supplies, RoHS-compliant
- Add "-H" suffix: Hermetic seal (does not apply to RoHS-compliant models)