



Advanced
Control
Components
Inc.

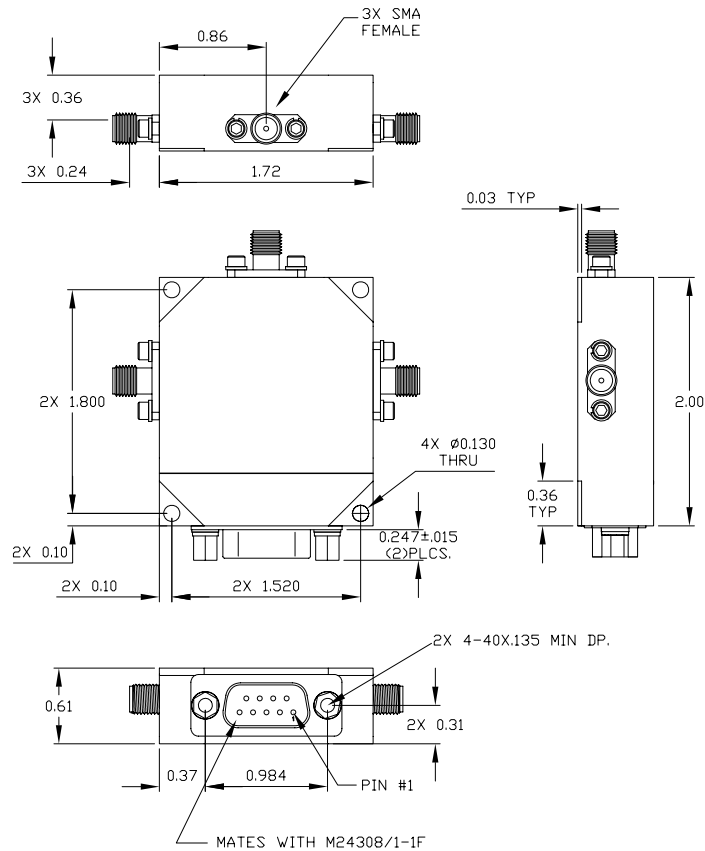
611 INDUSTRIAL WAY WEST
EATONTOWN, N.J. 07724
PHONE: (732) 460-0212
FAX: (732) 460-0214
WWW.ADVANCED-CONTROL.COM

PRODUCT SPECIFICATION
PART NUMBER: ACSW-5585

DESCRIPTION: SWITCH, SP2T, HIGH POWER, HOT SWITCHABLE

FREQUENCY RANGE: 4.4 - 5.0 GHz
 INSERTION LOSS: 0.7dB MAX., 0.5dB TYP.
 VSWR: 1.5:1 MAX (INSERTION LOSS MODE)
 (SWITCH IS REFLECTIVE IN ISO MODE)
 ISOLATION: 35 dB MIN, 40 dB TYP.
 SWITCHING SPEED: 10 uS MAX, 5 uS TYP. (50% TTL - 90 / 10% RF)
 RF POWER, INPUT: 20W MAX, HOT-SWITCHED (J1-J2 / J1-J3)
 DC BIAS: +12V @ 200mA MAX.
 CONTROL TTL: TTL 0 = J1-J2
 TTL 1 = J1-J3
 TEMPERATURE:
 OPERATING: -45°C TO +85°C
 STORAGE: -60°C TO +95°C
 RF CONNECTORS: SMA FEMALE
 DC AND CONTROL: 9 PIN D-SUB
 FINISH: GOLD FLASH OVER NICKEL

REV.	DESCRIPTION	DATE	APP'D
A	INITIAL RELEASE	7/22/09	PD



This document is the property of Advanced Control Components Inc. and contains company confidential and/or proprietary information. It is issued in strict confidence and the recipient shall not reproduce, copy, cause to be reproduced or copied, disclose to others, or use as the basis for manufacture, sale or purchase of apparatus the contents or portions thereof of this document without written permission of Advanced Control Components Inc.

CAUTION
 UNLESS THIS DRAWING BEARS AUTHORIZED SIGNED APPROVAL(S) IT IS PRELIMINARY AND IS NOT TO BE USED FOR MANUFACTURING PURPOSES.

UNLESS OTHERWISE SPECIFIED
 DIMENSIONS ARE IN INCHES
 TOLERANCES ON FINISH: RMS 63
 ANGLES: ±1/2° FRACTIONS: ±1/64
 4 PLACE DECIMALS: ±.0005
 3 PLACE DECIMALS: ±.005
 2 PLACE DECIMALS: ±.01

DRAWN BY: PD	7/22/09
APPROVED BY: DC	7/22/09
SHEET: 1 OF 1	
FILECODE: ACSW-5585	