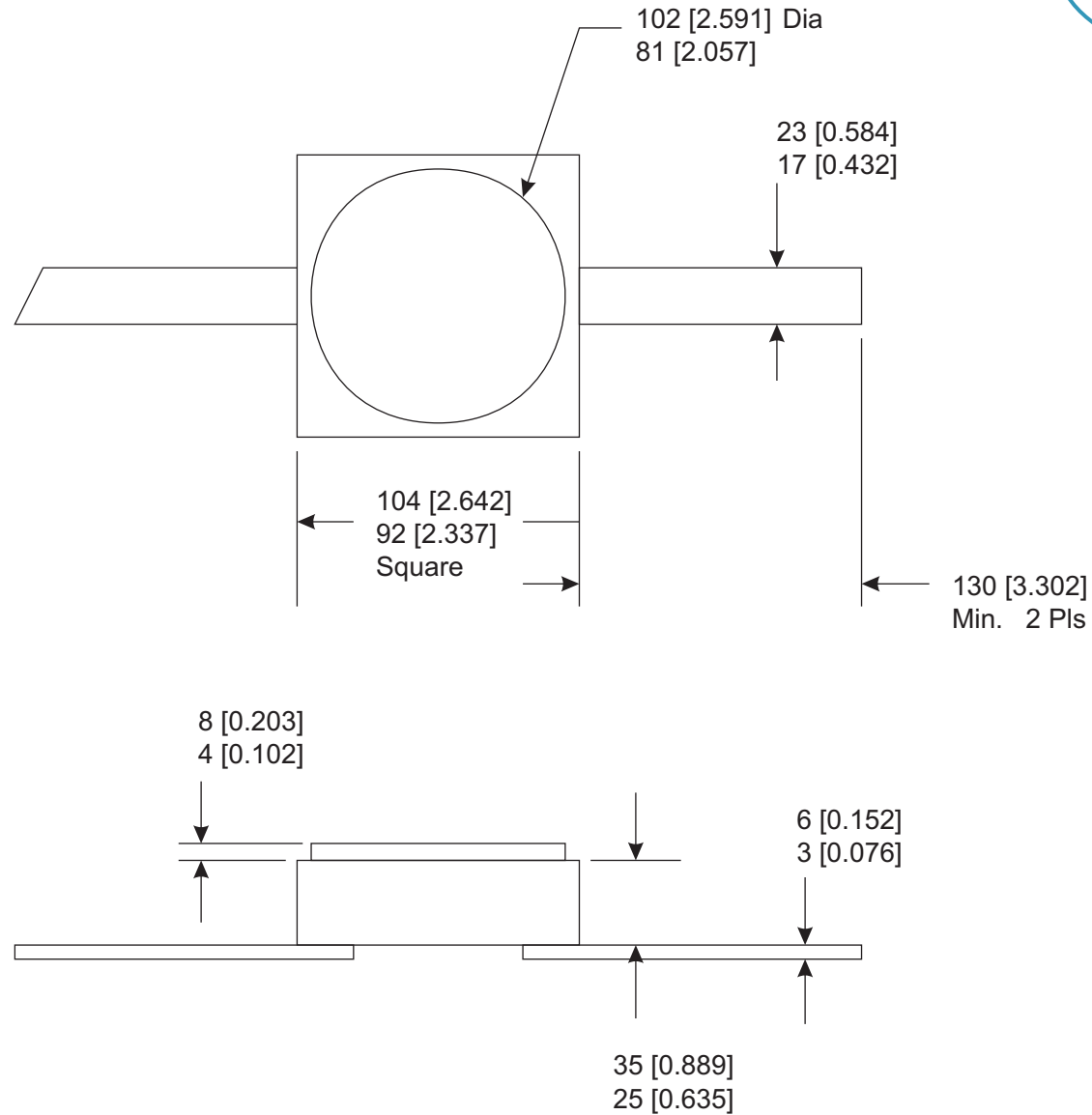


H20

$L_p=0.5nH$

$C_p=0.18pF$

Cut lead is Cathode



Dimensions in mils [mm]