

Fixed Coaxial Attenuators



Model 74 Medium Power Fixed Coaxial Attenuator

dc to 28.0 GHz
25 Watts

3.5mm Connectors



Features

- /// Compact Construction - Lowest size/power ratio.
- /// Precision injection molded connector dielectric.
- /// Designed to meet environmental requirements of MIL-DTL-3933.
- /// Low SWR Design.

Specifications

NOMINAL IMPEDANCE: 50 Ω

FREQUENCY RANGE: dc to 28 GHz

| MAXIMUM DEVIATION OVER FREQUENCY: | |
|-----------------------------------|----------------|
| Nominal ATTN (dB) | Deviation (dB) |
| 3 | ± 0.70 |
| 6, 10 | ± 1.00 |
| 20, 30 | ± 1.50 |

| MAXIMUM SWR: | |
|-----------------|------|
| Frequency (GHz) | SWR |
| dc - 18 | 1.30 |
| 18 - 28 | 1.35 |

POWER RATING: 25 watts **average (unidirectional)** to 25°C ambient temperature, derated linearly to 2.5 Watt @ 125°C. 500 watts **peak** (5 μsec pulse width; 2.5% duty cycle). Maximum power rating into output is 10% of the average power rating.

POWER COEFFICIENT: <0.0015 dB/dB/watt

TEMPERATURE COEFFICIENT: <0.0004 dB/dB/°C

TEMPERATURE RANGE: -55°C to 125°C

TEST DATA SUPPLIED: Sweep SWR/Attenuation data/plots performed across 0.1-26.5 GHz frequency range.

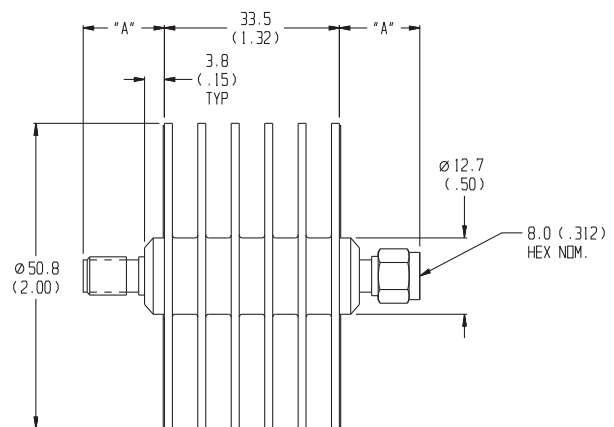
CONNECTORS: 3.5mm (Male/Female) connectors - mate nondestructively with SMA per MIL-C-39012, 2.92mm and other 3.5mm connectors.

| Connector Options | Type/Description |
|-------------------|------------------|
| 1 | 3.5mm, Female |
| 2 | 3.5mm, Male |

CONSTRUCTION: Black, finned aluminum body, gold plated beryllium copper contacts.

WEIGHT: 100 g (3.5 oz.) maximum

PHYSICAL DIMENSIONS:



| Connector | DIM A |
|--------------|-------------|
| 3.5mm Male | 16.0 (0.63) |
| 3.5mm Female | 15.0 (0.59) |

NOTE: All dimensions are given in mm (inches) and are maximum, unless otherwise specified.

MODEL NUMBER DESCRIPTION:

Example:

