

# Fixed Coaxial Attenuators



## Model 55 Fixed Coaxial Attenuator

dc to 18.0 GHz  
5 Watts

TNC Connectors



### Features

- /// **Quality TNC Connectors** - This Attenuator incorporates an improved 18 GHz TNC connector design standardized through the IEC.
- /// **Designed to meet environmental requirements of MIL-DTL-3933.**

### Specifications

**NOMINAL IMPEDANCE:** 50 Ω

**FREQUENCY RANGE:** dc to 18.0 GHz

MAXIMUM DEVIATION OVER FREQUENCY:	
Nominal ATTN (dB)	Deviation (dB)
1 -6	± 0.40
7 -10, 20	± 0.50
30	± 0.90

MAXIMUM SWR:	
Frequency (GHz)	SWR
dc - 4	1.15
4 - 8	1.20
8 - 12.4	1.25
12.4 - 18	1.35

**POWER RATING:** 5 watts **average** @ 25°C ambient temperature, derated linearly to 0.5 watt @ 125°C. 1 kilowatt **peak** (5 μsec pulse width; 0.0005% duty cycle).

**POWER COEFFICIENT:** < 0.005 dB/dB/watt

**TEMPERATURE COEFFICIENT:** < 0.0004 dB/dB/ °C

**TEMPERATURE RANGE:** -55°C to +125°C

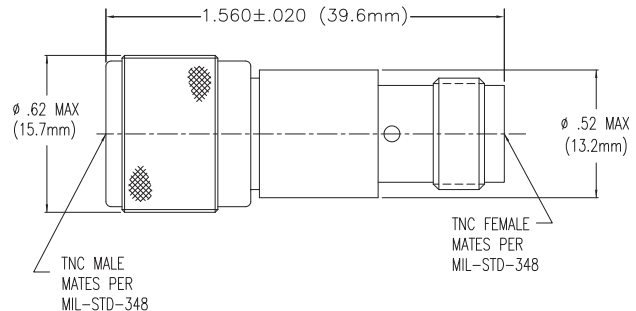
**TEST DATA:** Insertion Loss and SWR Testing performed across frequency range. Test data available at additional cost.

**CONNECTORS:** TNC connectors per MIL-STD-348 interface dimensions - mate nondestructively with MIL-C-39012 connectors.

**CONSTRUCTION:** Stainless steel body and connectors; gold plated beryllium copper contacts.

**WEIGHT:** 28 g (1 oz) maximum

**PHYSICAL DIMENSIONS:**



**NOTE:**

1. All dimensions are given in mm (inches) and are maximum, unless otherwise specified.
2. Unit available with RoHS compliant materials, specify when ordering.

**MODEL NUMBER DESCRIPTION:**

**Example:**

