

Model 4H Hex Body Attenuator

dc to 18.6 GHz
2 Watts

Precision SMA Connectors

RoHS



Features

- /// **Subminiature** - These attenuators offer the smallest package size with broadband frequency response, and attenuation values from 0 to 10, 12, 15, 20 & 30 dB.
- /// **Designed to meet environmental requirements of MIL-DTL-3933.**
- /// **Precision SMA Connectors.**
- /// **Usable to 23 GHz.**

Specifications

NOMINAL IMPEDANCE: 50 Ω

FREQUENCY RANGE: dc to 18.6 GHz

MAXIMUM DEVIATION OVER FREQUENCY:	
Nominal ATTN (dB)	Deviation (dB)
0	± 0.40
1-10	± 0.30
12, 15, 20, 30	± 0.70

MAXIMUM SWR:	
Frequency (GHz)	SWR
dc - 12.4	1.25
12.4 - 18.6	1.35

POWER RATING: 2 watts **average** to 25°C ambient temperature, derated linearly to 0.5 watts @ 125°C. 250 watts **peak** (5 μsec pulse width; 1% duty cycle).

POWER COEFFICIENT: < 0.005 dB/dB/watt

TEMPERATURE COEFFICIENT: < 0.0004 dB/dB/°C

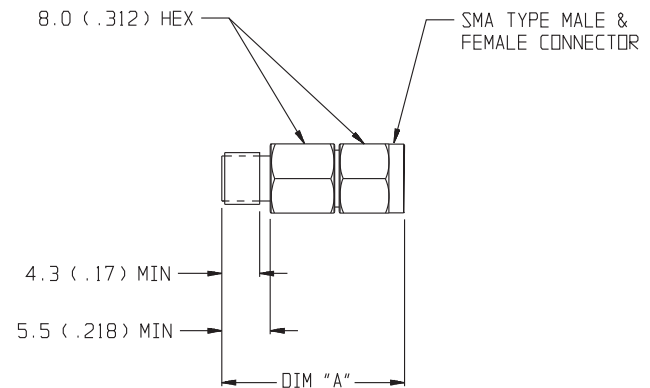
TEMPERATURE RANGE: -50°C to +125°C

CONNECTORS: SMA connectors per MIL-STD-348 interface dimensions mate nondestructively with MIL-C-39012 connectors.

CONSTRUCTION: Stainless steel body and connectors; gold plated beryllium copper contacts.

WEIGHT: 5.0 g (0.18 oz) maximum

PHYSICAL DIMENSIONS:



dB VALUE	DIM A
0-10	19.0 (0.75)
12, 15, 20	21.6 (0.85)
30	24.0 (0.95)

NOTE:

1. All dimensions are given in mm (inches) and are maximum, unless otherwise specified.
2. Unit available with RoHS compliant materials, specify when ordering.

MODEL NUMBER DESCRIPTION:

Example:

