

## Model 1579 Broadband Resistive Power Splitter (Matching)

dc to 26.5 GHz  
0.5 Watts

3.5mm Connectors

**RoHS**



### EQUIVALENT OUTPUT SWR (Port 2 & 3):

Frequency (GHz)	Maximum SWR
dc - 18	1.25
18 - 26.5	1.45

\*When used in a leveling or ratio system.

### Features

These resistive power splitters are intended for RF and wireless applications in which one of the two outputs is included in a leveling loop or is used as a reference in a ratio system, for the purpose of providing an output signal whose source impedance is essentially matched to 50Ω. Some examples are:

- /// A dual channel insertion loss measuring system (ratio).
- /// A parallel IF substitution insertion loss measuring system (ratio or ALC loop).
- /// A precision power source (ratio or ALC loop).

### Specifications

**NOMINAL IMPEDANCE:** 50 Ω

**FREQUENCY RANGE:** dc to 26.5 GHz

**INSERTION LOSS:** 6 dB nominal, 8.5 dB maximum  
(Between input and either output)

**MAXIMUM INPUT POWER:** 0.5 watts CW (Input Connector only)

#### OUTPUT TRACKING (Between Ports):

Frequency (GHz)	Tracking (maximum dB)
dc - 4	0.15
4 - 8	0.20
8 - 18	0.30
18 - 26.5	0.40

#### MAXIMUM INPUT SWR:

Frequency (GHz)	Maximum SWR
dc - 26.5	1.50

**PHASE TRACKING:** ±5° nominal between output ports

**POWER COEFFICIENT:** < 0.005 dB/dB/watt

**TEMPERATURE COEFFICIENT:** < 0.0004 dB/dB/°C

**TEMPERATURE RANGE:** -55°C to +125°C

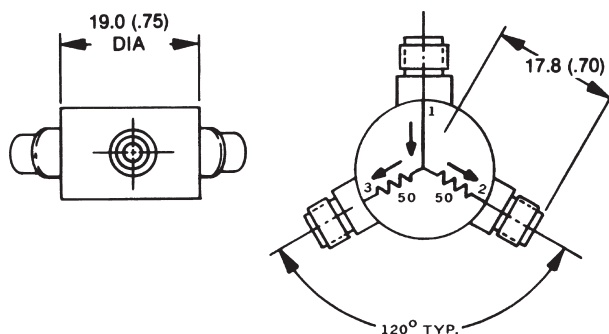
**TEST DATA:** Insertion Loss, SWR, and Tracking measurements performed across the frequency band. Test data available at additional cost.

**CONNECTORS:** Female 3.5mm connectors all ports--mate nondestructively with SMA, 2.92mm and other 3.5mm connectors.

**CONSTRUCTION:** Gold plated brass body; stainless steel connectors; gold plated beryllium copper contacts.

**WEIGHT:** 30 g (1 oz) maximum

#### PHYSICAL DIMENSIONS:



#### NOTE:

1. All dimensions are given in mm (inches) and are maximum, unless otherwise specified.
2. Unit available with RoHS compliant materials, specify when ordering.