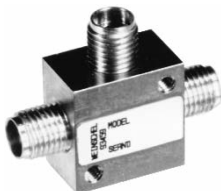


## Model 1575 Broadband Resistive Power Divider

dc to 40.0 GHz  
1.0 Watt

Subminiature, 2.92mm Connectors

**RoHS**



### Features

This three resistor Power Divider is designed for applications where an RF and Microwave signal must be accurately divided or combined.

- /// **Miniature Size and Lightweight** - High power capability and high ambient temperature operation.
- /// **Close Tracking and Low Frequency Sensitivity** - Output power symmetry is excellent across the frequency range. Division is 6 dB from matched ports.

### Specifications

- NOMINAL IMPEDANCE:** 50  $\Omega$
- FREQUENCY RANGE:** dc to 40.0 GHz
- INSERTION LOSS (Between input and either output):**  
6 dB nominal, 8.5 dB maximum
- MAXIMUM INPUT POWER:** 1.0 watts CW, 1 kilowatt peak, 5  $\mu$ sec pulse width
- NUMBER OF PORTS:** 3, interchangeable for input and output

#### AMPLITUDE & PHASE TRACKING (Maximum):

Frequency (GHz)	Tracking	
	Amplitude	Phase
dc - 19	<0.25 dB	2°
19 - 40	<0.50 dB	5°

#### MAXIMUM SWR:

Frequency (GHz)	SWR
dc - 19	1.40
19 - 40	1.70

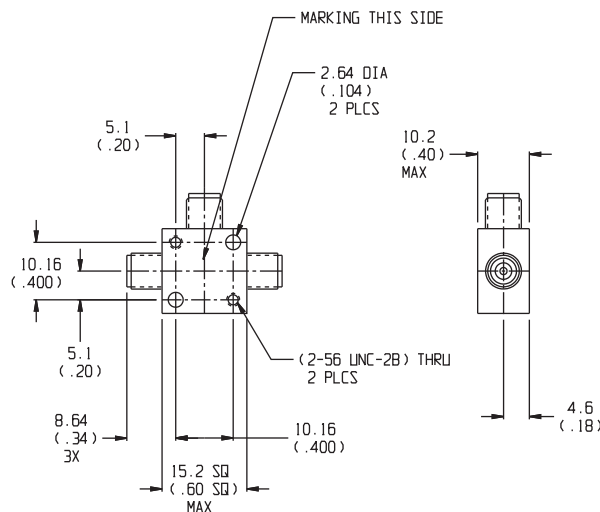
**TEMPERATURE RANGE:** -55°C to +85°C

**TEST DATA:** Insertion Loss, SWR, and Tracking measurements performed across the frequency band. Test data available at additional cost.

**CONNECTORS:** Female 2.92mm connectors all ports--mate nondestructively with SMA, 2.92mm and other 2.92mm and 3.5mm connectors.

**WEIGHT:** 25 g (0.9 oz) maximum

#### PHYSICAL DIMENSIONS:



NOTE: All dimensions are given in mm (inches) and are maximum, unless otherwise specified.