

## Model 1418 Medium Power Coaxial Termination

dc to 18.0 GHz  
10 Watts

Type N Connector

**RoHS**



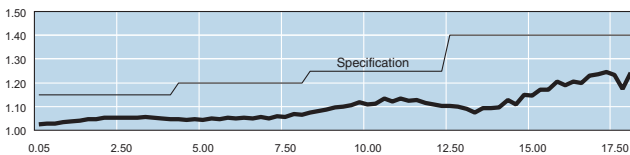
### Features

- /// Optimized for Wireless OEM and Test Applications.
- /// Designed to meet environmental requirements of MIL-D-39030.
- /// Quality Injection Molded Connector.

### Specifications

**NOMINAL IMPEDANCE:** 50 Ω  
**FREQUENCY RANGE:** dc to 18.0 GHz

| MAXIMUM SWR:    |      |
|-----------------|------|
| Frequency (GHz) | SWR  |
| dc - 4          | 1.15 |
| 4 - 8           | 1.20 |
| 8 - 12.4        | 1.25 |
| 12.4 - 18       | 1.40 |



Typical M1418 SWR Performance

**POWER RATING:** 10 watts **average** (mounted **horizontally**) @ 25°C ambient temperature, derated linearly to 0 watt @ 125°C. 1 kilowatt **peak** (5 μsec pulse width; 0.05% duty cycle).

**TEMPERATURE RANGE:** -55°C to +125°C

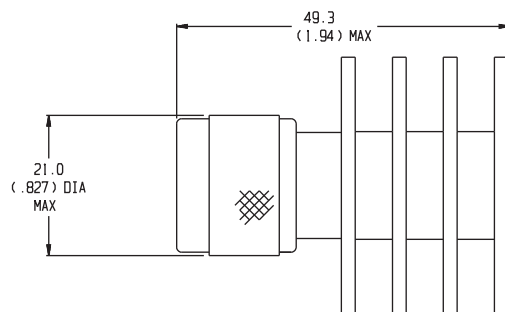
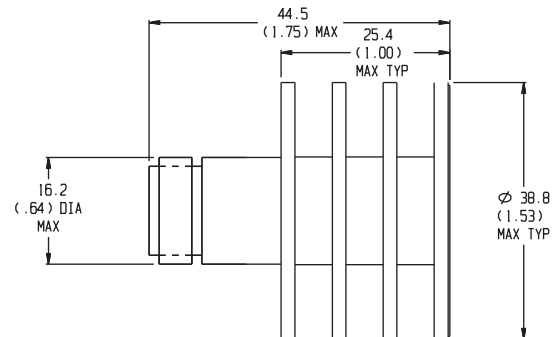
**TEST DATA:** SWR Testing performed across the frequency band. Test data is available at additional cost.

**CONNECTOR:** Type N connector per MIL-STD-348 interface dimensions - mate nondestructively with MIL-C-39012 connector. Choice of male or female connector. When ordering, prefix model number with M for male and F for female.

**CONSTRUCTION:** Black, finned aluminum body, stainless steel connector; gold plated beryllium copper contacts.

**WEIGHT:** 90 g (3 oz)

**PHYSICAL DIMENSIONS:**



NOTE:

1. All dimensions are given in mm (inches) and are maximum, unless otherwise specified.
2. Unit available with RoHS compliant materials, specify when ordering.