

Models 3406 & 3408 Programmable Attenuators

dc to 6.0 GHz
1 Watt

Ideal for Wireless/Test Applications



Features

- /// Higher Frequency range to 6 GHz.
- /// Wide Selection of Attenuation Ranges & Step Sizes
 - 0 to 55 dB in 1 dB steps
 - 0 to 103 dB in 1 dB steps
 - 0 to 55.75 in 0.25 dB steps
- /// High Quality Construction & Connectors
- /// Special Configurations Available Upon Request

Description

The 3400 Series Programmable Step Attenuators are designed for use in automatic test equipment and OEM systems operating in the dc to 6 GHz frequency range. This series is available in many standard attenuation ranges and cell configurations. Custom designed configurations are available upon request. Each cell contains a double-pole, double-throw relay that provides a zero path or attenuated path for the RF signal.

Microstrip circuitry and special compensation techniques produce flat attenuation versus frequency characteristics. The microstrip construction, using thin-film circuit elements, ensures product uniformity. To minimize RF leakage, the 3400 Series Attenuators are provided with gold-plated contact areas and feedthrough filters at each control terminal.

Specifications

NOMINAL IMPEDANCE: 50 Ω
FREQUENCY RANGE: dc to 6.0 GHz

MAXIMUM SWR:	
Frequency Range (GHz)	SWR
dc - 3	1.30
3 - 6	1.45

CELL CONFIGURATIONS:

Model Number	NO. Cells	Attenuation Range/Steps (dB)	Cell Increments (dB)
3406-55	6	55/1	1, 2, 4, 8, 16, 24
3408-55.75	8	55.75/0.25	0.25, 0.5, 1, 2, 4, 8, 16, 24
3408-103	8	103/1	1, 2, 4, 8, 16, 24, 48*

*48 dB cell comprised of two 24 dB cells

INCREMENTAL ATTENUATION ACCURACY:

Frequency Range (GHz)	Accuracy
dc - 3	± 0.3 dB or 2% whichever is greater
3 - 6	± 0.4 dB or 3% whichever is greater

MAXIMUM INSERTION LOSS (dB):

Frequency Range (GHz)	3206-55	3408-55.75 3408-103
dc - 3	2.60	3.40
3 - 6	3.80	5.00

MONOTONICITY: dc to 6.0 GHz

POWER RATING: 1 watt average to 25°C ambient temperature, derated linearly to 0.25 watt @ 70°C. 50 watts peak (5 μ sec pulse width; 1% duty cycle)

POWER COEFFICIENT: <0.005 dB/dB/watt

RATED SWITCH LIFE: 5 million cycles operations per cell @ 0 dBm

SWITCHING TIME: 6 msec. maximum at nominal rated voltage

RELEASE TIME: 5 msec maximum

CYCLING RATE: 5 Hz maximum per relay

OPERATING VOLTAGE: +12V (+13V maximum; +9V minimum)

OPERATING CURRENT: 17 mA typical per cell @ +12V

TEMPERATURE RANGE (Operating): -30°C to +70°C

TEST DATA: Test data is available at additional cost.

SPECIFICATIONS - Con't

CONNECTORS: SMA female connectors per MIL-STD-348 interface dimensions - mate nondestructively with MIL-C-39012 connectors. Leads. May be used with PC board sockets/ receptacles.

CONTROL TERMINALS: 0.040 inch. (1 mm) diameter solderable leads. May be used with PC board sockets/ receptacles.

CONSTRUCTION:

Housing: Aluminum
Connectors: Stainless steel body and beryllium copper contacts.
Control terminals: Brass/Copper, Silver plated

WEIGHT (Typical): 3406-X: 99 g (3.5 oz)
3408-X: 135 g (4.8 oz)

CONTROL CONFIGURATION:

Standard Unit: One terminal is connected to case ground and the remaining terminals are provided for activation of individual cells. Attenuation is fail-safe to "0" setting in the absence of a control voltage. Application of a voltage (+) to a particular cell causes it to switch to the attenuate position.

Units with TTL Option: Units with this options are supplied with a very low profile connectorized TTL interface board mounted directly to the control terminals. This TTL interface option is available with a 10 pin ribbon cable connector and is supplied with a mating connector. Refer to Physical Dimensions for mating connector pin/wiring details. Two wires are specified for supply voltage and ground. The remaining wires will accept TTL control signals to activate or de-activate a particular attenuation cell. A TTL high will energize a cell to the high attenuation state, whereas a TTL low will maintain a cell in its zero attenuation state.

To order 3400 Series Attenuators with this option add -1 to basic model number for ribbon cable connector. Example: Model 3406-63 with a TTL interface would be 3406-63-1.

Note: Control is non-latching and requires a continuous control signal for the period of time in which attenuation is required.

TTL DRIVER SPECIFICATIONS:

INTERFACE CONNECTOR: Option -1: 10 pin .025 square post header on .1 center, mates with Amp connector 746285-1 or equivalent

INPUT VOLTAGE: V_{IN} High = +2.0V minimum
+5.0V typical
Vcc maximum
 V_{IN} Low = 0 minimum
0.8 maximum

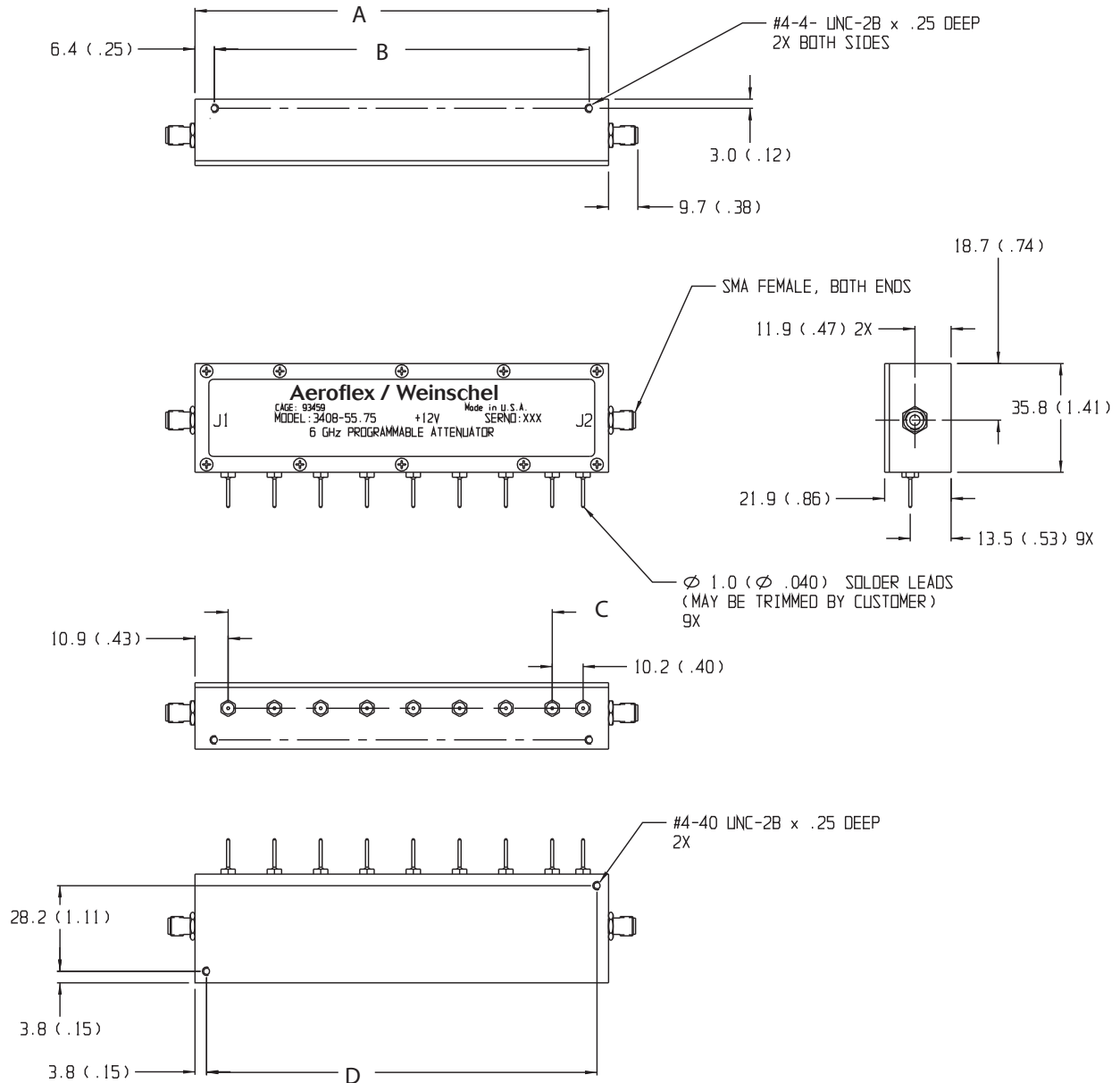
INPUT CURRENT: I_{IN} ($V_{IN}=2.4$ V) = 55 μ A
 I_{IN} ($V_{IN}=3.85$ V) = 280 μ A

SUPPLY CURRENT: $I_{CC}=25$ mA maximum per cell

SUPPLY VOLTAGE: $V_{CC}=+12.0$ to +15 V

MODELS WITH BUILT-IN DRIVERS: Most 3400s are available with an intelligent interface/driver cards. These are designed to interface with our 8210A Series Controllers which greatly simplifies computer control applications. Refer to Model 3406T and 3408T data sheet for more information.

PHYSICAL DIMENSIONS:



Model No.	No. Cells	A	B	C	D
3408-X	8	136.1 (5.36)	123.4 (4.86)	7 EQ SPCS @ 15.20 (.60) = 106.7 (4.20)	128.5 (5.06)
3406-X	6	105.7 (3.66)	93.0 (3.66)	5 EQ SPCS @ 15.20 (.60) = 76.0 (3.00)	98.0 (3.86)

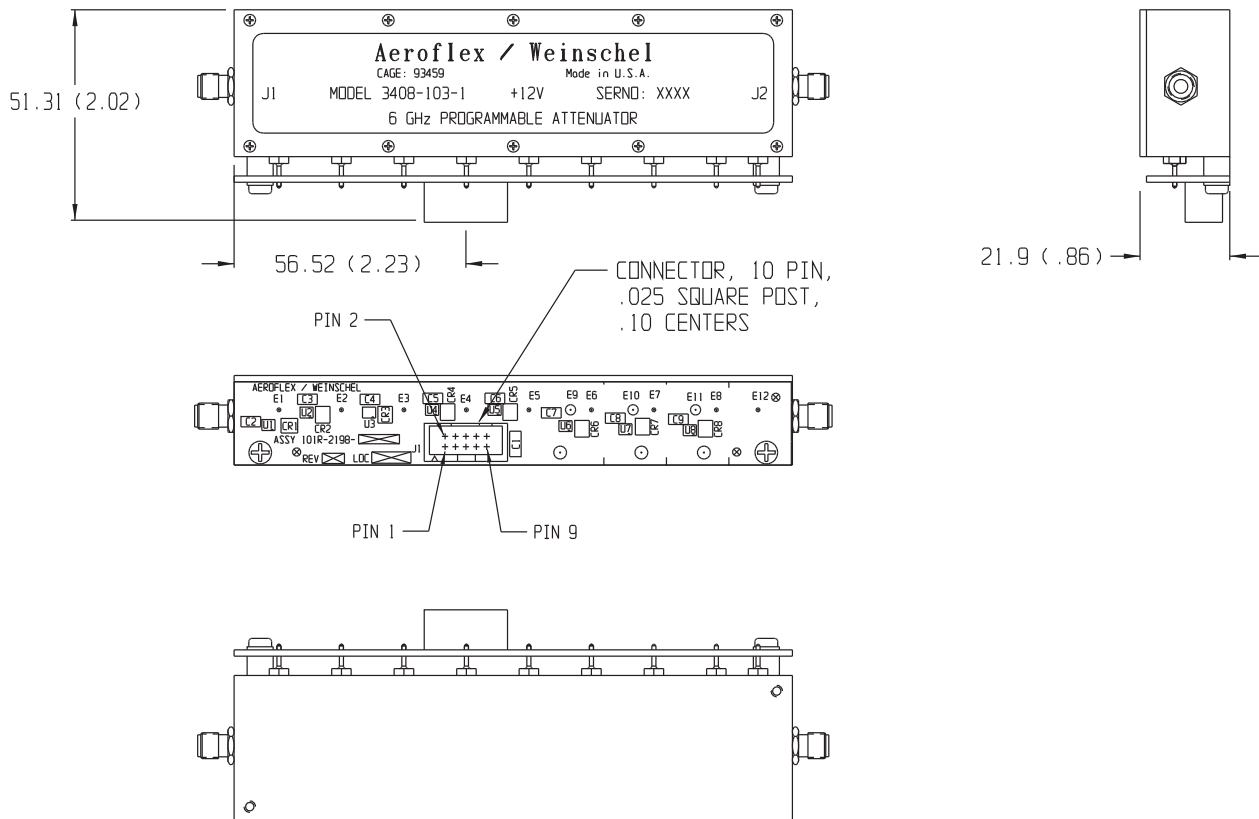
NOTE: All dimensions are given in mm (inches) and are nominal, unless otherwise specified.

Programmable Attenuators



PHYSICAL DIMENSIONS:

TTL OPTION -1 (3406 & 3408)



Control Connector J3 Pin Locations:

TTL Conn PIN No. (J3)	3408-103-1 dB (Cell)	3408-55.75-1 dB (Cell)	3406-55-1 dB (Cell)
1	24*	0.25	1
2	24	0.5	2
3	1	1	4
4	2	2	8
5	4	4	16
6	8	8	24
7	16	16	NC
8	24*	24	NC
9	+Vcc	+Vcc	+Vcc
10	COM	COM	COM

* 48 dB cell comprised of two 24 dB cells
 NC = Not Connected

NOTE: All dimensions are given in mm (inches) and are nominal, unless otherwise specified.