

Model 1452 Medium Power Coaxial Termination

dc to 4.0 GHz
25 Watts

Convection Cooled

 **RoHS**



Features

- /// Optimized for Wireless OEM and Test Applications.
- /// Designed to meet environmental requirements of MIL-D-39030.
- /// Quality connector with special high temperature support beads.
- /// 5 Kilowatts Peak Power.

Specifications

NOMINAL IMPEDANCE: 50 Ω

FREQUENCY RANGE: dc to 4.0 GHz

MAXIMUM SWR*:	
Frequency (GHz)	SWR
dc - 2	1.10
2 - 4	1.20

POWER RATING: 25 watts average (mounted horizontally assuming unobstructed air flow and natural convection around unit) @ 25°C ambient temperature, derated linearly to 2.5 watts @ 125°C. 5 kilowatts peak (5 μsec pulse width; 0.25% duty cycle).

TEMPERATURE RANGE: -55°C to +125°C

TEST DATA: SWR Testing performed across the frequency band. Test data is available at additional cost.

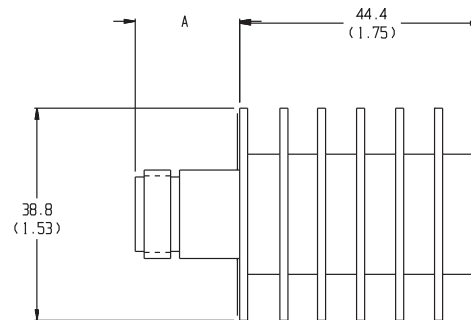
CONNECTOR: Type N or 2.92mm connectors mate nondestructively with MIL-C-39012 connector.

Connector Options	Type/Description
1	2.92mm, Female
2	2.92mm, Male
3	Type N, Female
4	Type N, Male

CONSTRUCTION: Black, finned aluminum body, stainless steel connector; gold plated beryllium copper contacts.

WEIGHT: 150 g (5.2 oz)

PHYSICAL DIMENSIONS:



Model #	DIM A	Connector Type
1452-1	12.7 (0.50)	2.92mm female
1452-2	14.0 (0.55)	2.92mm male
1452-3	15.0 (0.59)	N female
1452-4	22.9 (0.90)	N male

NOTE:

1. All dimensions are given in mm (inches) and are maximum, unless otherwise specified.
2. Unit available with RoHS compliant materials, specify when ordering.