

Model 1591 Open / Short / Load

dc to 2.0 GHz
1 Watt

Simplifies Test Setups



Features

- /// Miniature Size & Lightweight.
- /// 3-Port Cal Design for wireless communication test applications.

Specifications

NOMINAL IMPEDANCE: 50 Ω
FREQUENCY RANGE: dc to 2.0 GHz
MAXIMUM INPUT POWER: 2 watt CW, 500 watt pulse
PHYSICAL DIMENSIONS:

MAXIMUM SWR (Load Port):

Frequency (GHz)	SWR
dc - 1	1.05
1 - 2	1.35

MAXIMUM PHASE TRACKING (Short / Open):

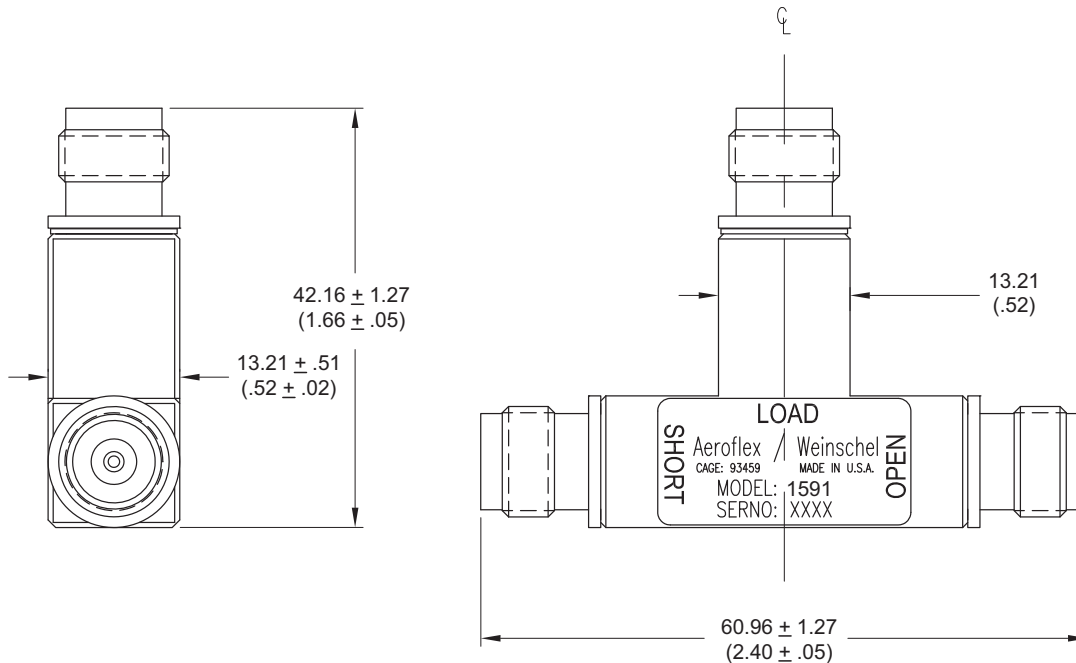
Frequency (GHz)	Tracking °
dc - 1	3°
1 - 2	7°

TEMPERATURE RANGE: -55°C to +125°C

CONSTRUCTION: stainless steel body and connectors; gold plated beryllium copper contacts.

TEST DATA: Test data can be provided at additional cost.

CONNECTORS: Female TNC connectors all ports-- mate nondestructively with MIL-C-39012 connectors.



NOTE: All dimensions are given in mm (inches) and are maximum, unless otherwise specified