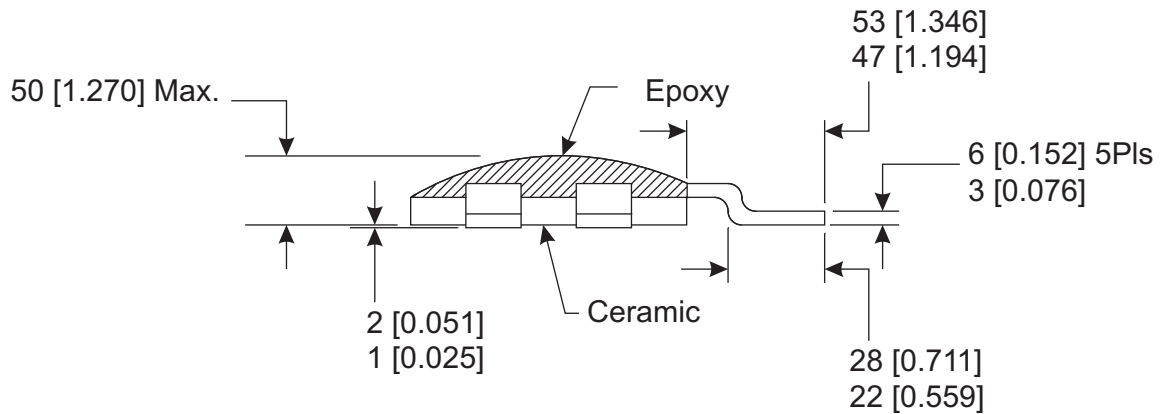
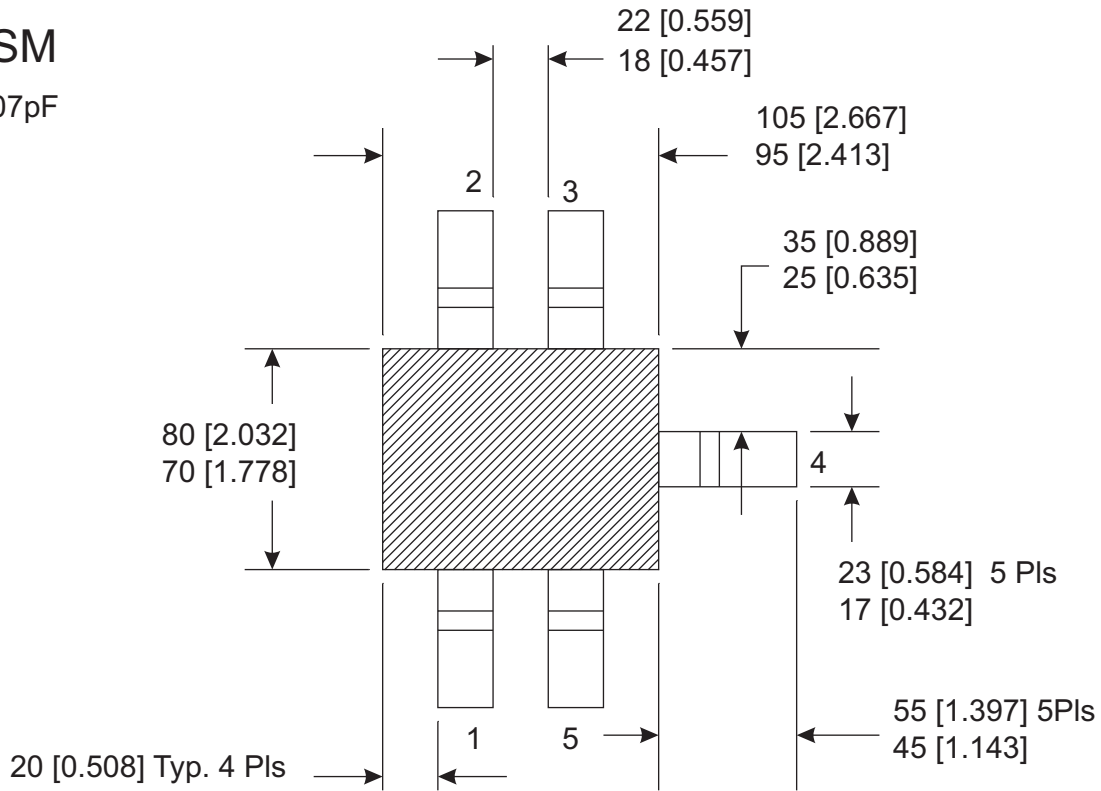


**E50SM**

Cp=0.07pF



Dimensions in mils [mm]