

# ATTENUATORS

SMA, up to 4 GHz, 300 Watts

## SPECIFICATIONS:

Models: XB300W-XX, XB300W-XXF, XB300W-XXM

**RoHS**  
Compliant

**AEROFLEX**  
A passion for performance.

### Electrical:

Frequency Range \_\_\_\_\_ DC - 4 GHz  
 Standard Freq. Values \_\_\_\_\_ 2.5 & 4 GHz  
 Standard dB Values\* \_\_\_\_\_ 3, 6, 10, 20, 30 & 40 dB  
 Attenuation Accuracy DC-1.5 GHz 1.5-2.5GHz 2.5-4GHz  
 3 & 6 dB \_\_\_\_\_ ±0.50 dB \_\_\_\_\_ ±0.50 dB \_\_\_\_\_ ±0.75 dB  
 10, 20, 30, & 40 dB \_\_\_\_\_ ±0.75 dB \_\_\_\_\_ ±1.0 dB \_\_\_\_\_ ±1.5 dB

### Input VSWR (Max.)

3, 6, 10 & 20 dB \_\_\_\_\_ 1.15:1 \_\_\_\_\_ 1.25:1 \_\_\_\_\_ 1.35:1  
 30 & 40 dB \_\_\_\_\_ 1.15:1 \_\_\_\_\_ 1.25:1 \_\_\_\_\_ 1.50:1

Input Power \_\_\_\_\_ 300 Watts Avg. @ +25°C  
 Derated Linearly to 60 Watts @ +125°C

Peak Power \_\_\_\_\_ 2 kW Max.  
 (5µSec Pulse, .05% Duty Cycle)

Impedance \_\_\_\_\_ 50 Ohms  
 Operating Temp Range \_\_\_\_\_ -54°C to +125°C

### Mechanical:

SMA Connectors \_\_\_\_\_ Passivated Stainless Steel  
 Mates with MIL-STD-348

Conductors \_\_\_\_\_ Gold Plated Beryllium Copper  
 Housing \_\_\_\_\_ Anodized Aluminum

Note: Units are unidirectional. Units must be positioned in such a way as to allow free air flow around fins to assure performance.

Connectors cannot be used to support the units weight.

Model Number: **XB300W-XX**

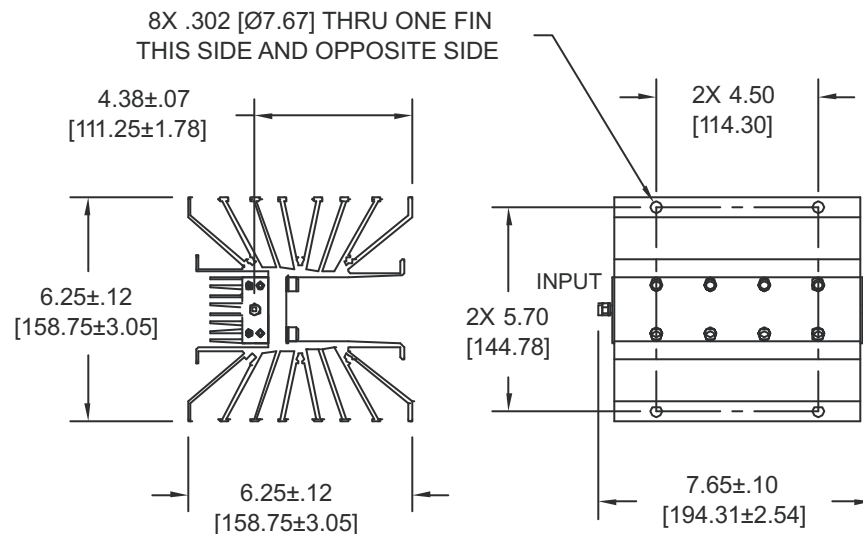
Male/Female Connectors  
 Length: 765 ±10 [194.31 ±2.54]  
 Pictured

Model Number: **XB300W-XXF**

Female/Female Connectors  
 Length: 752 ±10 [191.01 ±2.54]

Model Number: **XB300W-XXM**

Male/Male Connectors  
 Length: 778 ±10 [197.61 ±2.54]



## HOW TO ORDER:

Model Number: **XB300W-XXY**

Freq. Range \_\_\_\_\_  
 2 = DC - 2.5 GHz  
 4 = DC - 4 GHz

Connector Configuration  
 = Male/Female  
 F = Fem/Fem  
 M = Male/Male

dB Value

## Ordering Examples:

Model Number: **2B300W-6**  
 DC - 2.5 GHz, 6 dB; SMA - Male/Fem

Model Number: **4B300W-40F**  
 DC - 4 GHz, 40 dB; SMA - Fem/Fem

Note: Dimensions in Brackets are Expressed in Millimeters and are for Reference Only.  
 Design, specifications are subject to change without notice. Contact factory for technical specifications before purchasing and/or use.

XB300W-ATT: REV C

**AEROFLEX**  
INMET

Aeroflex / Inmet, Inc. • 300 Dino Drive, Ann Arbor, MI 48103 • U.S.A.  
 888-244-6638 or 734-426-5553 • FAX: 734-426-5557  
 www.aeroflex.com/inmet • inmet-sales@eroflex.com