

TERMINATIONS

SMA, DC - 18 GHz, 5 Watts

SPECIFICATIONS:

Models: TSXXXM-5W, TSXXXF-5W

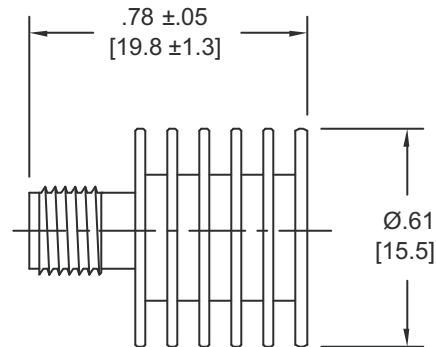
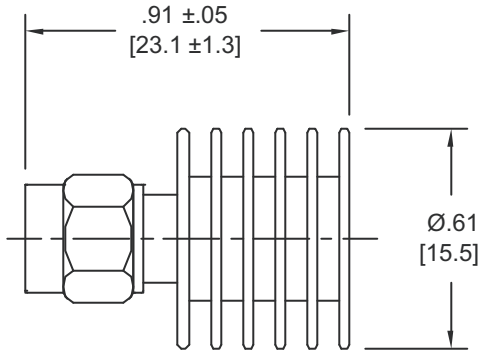
RoHS
Compliant

Electrical:	
Frequency Range _____	DC - 18 GHz
Standard Freq. Values _____	6 & 18 GHz
VSWR	
DC - 4 GHz _____	1:10:1 Max.
4 - 8 GHz _____	1:15:1 Max.
8 - 12.4 GHz _____	1:20:1 Max.
12.4 - 18 GHz _____	1:25:1 Max.
Impedance _____	50 Ohms
Input Power _____	5 Watts Avg. @ +25°C
	Derated Linearly to 1 Watt @ +125°C
Operating Temp Range _____	-65°C to +125°C
Mechanical:	
SMA Connectors _____	Passivated Stainless Steel
Mates with MIL-STD-34B _____	
Housing _____	Anodized Aluminum
Conductors _____	Gold Plated Beryllium Copper



Model Number: **TSXXXM-5W**
SMA Male Connector

Model Number: **TSXXXF-5W**
SMA Female Connector



HOW TO ORDER:

Model Number: **TSXXX~~Y~~-5W**

Frequency Range	Connector Configuration
060 = DC - 6 GHz	M = Male
180 = DC - 18 GHz	F = Female

Ordering Examples:

Model Number: **TS060F-5W**
DC - 6 GHz; SMA Female

Model Number: **TS180M-5W**
DC - 18 GHz; SMA Male

Note: Dimensions in Brackets are Expressed in Millimeters and are for Reference Only.
Units that operate over a more specific band as well as units which offer very low return loss (VSWR) over a specific or entire frequency range are also available.

TS180-5W: REV G (M)



Aeroflex / Inmet, Inc. • 300 Dino Drive, Ann Arbor, MI 48103 • U.S.A.
888-244-6638 or 734-426-5553 • FAX: 734-426-5557
www.aeroflex-inmet.com • inmet-sales@eroflex.com