

TERMINATIONS

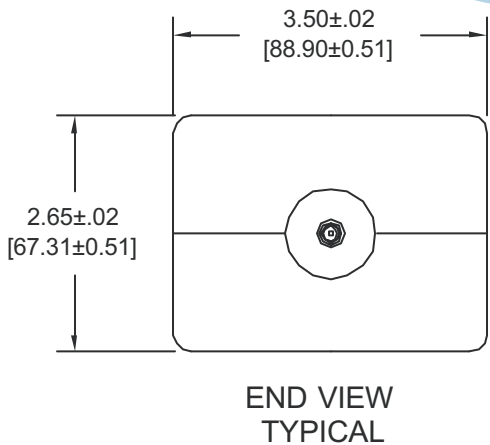
SMA, up to 18 GHz, 50 Watts

SPECIFICATIONS:

Models: TSXXXM-50W, TSXXXF-50W

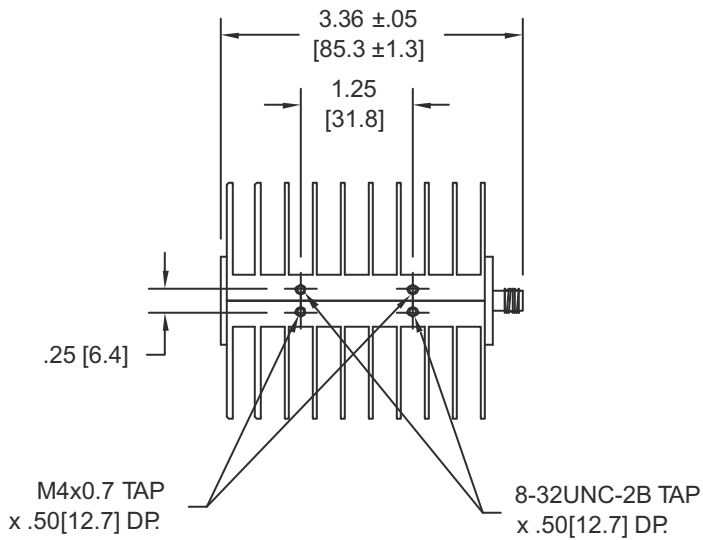
RoHS
Compliant

Electrical:	
Frequency Range _____	DC - 18 GHz
Standard Freq. Values _____	6 & 18 GHz
VSWR	
DC - 6 GHz _____	1.25:1 Max.
6 - 12.4 GHz _____	1.35:1 Max.
12.4 - 18 GHz _____	1.45:1 Max.
Impedance _____	50 Ohms
Input Power _____	50 Watts Avg. @ +25°C Derated Linearly to 10 Watts @ +125°C
Peak Power _____	500 Watts Max. (5uSec Pulse, .05% Duty Cycle)
Operating Temp Range _____	-65°C to +125°C
Mechanical:	
SMA Connectors _____	Passivated Stainless Steel
Mates with MILSTD-348	
Housing _____	Anodized Aluminum
Conductors _____	Gold Plated Beryllium Copper



Model Number: **TSXXXF-50W**
SMA Female Connector
Length: 3.36 ±.05 [85.3 ±1.3]
As Pictured

Model Number: **TSXXXM-50W**
SMA Male Connector
Length: 3.49 ±.05 [88.6 ±1.3]



Units must be Mounted in such a way as to Allow for Free Air Flow Around fins to Insure Performance

HOW TO ORDER:

Model Number: **TSXXXY-50W**

Frequency Range	Connector Configuration
060 = DC - 6 GHz	M = Male
180 = DC - 18 GHz	F = Female

Ordering Examples:

Model Number: **TS060F-50W**
DC - 6 GHz; SMA Female

Model Number: **TS180M-50W**
DC - 18 GHz; SMA Male

Note: Dimensions in Brackets are Expressed in Millimeters and are for Reference Only.
Design specifications are subject to change without notice.
Contact factory for technical specifications before purchasing or use.

TS180-50W: REV G (M)



Aeroflex / Inmet, Inc. • 300 Dino Drive, Ann Arbor, MI 48103 • U.S.A.
888-244-6638 or 734-426-5553 • FAX: 734-426-5557
www.aeroflex-inmet.com • inmet-sales@eroflex.com