

AS398 ATTENUATORS

SMA, DC - 3 GHz, 1 WATT

SPECIFICATIONS:

Models: AS398-XXdB

RoHS
Compliant

Electrical:

Frequency Range _____ DC - 3.0 GHz

Standard dB Values _____ 1 - 10, 12, 15, 20, & 30 dB

Attenuation Accuracy:

1-10, 12, 15 & 20 dB _____ ± 0.3 dB

30 dB _____ ± 0.5 dB

VSWR _____ 1.20:1 Max.

Input Power _____ 1 Watt Avg. @ 25°C

Impedance _____ 50 Ohms

Operating Temp Range _____ -40°C to +80°C

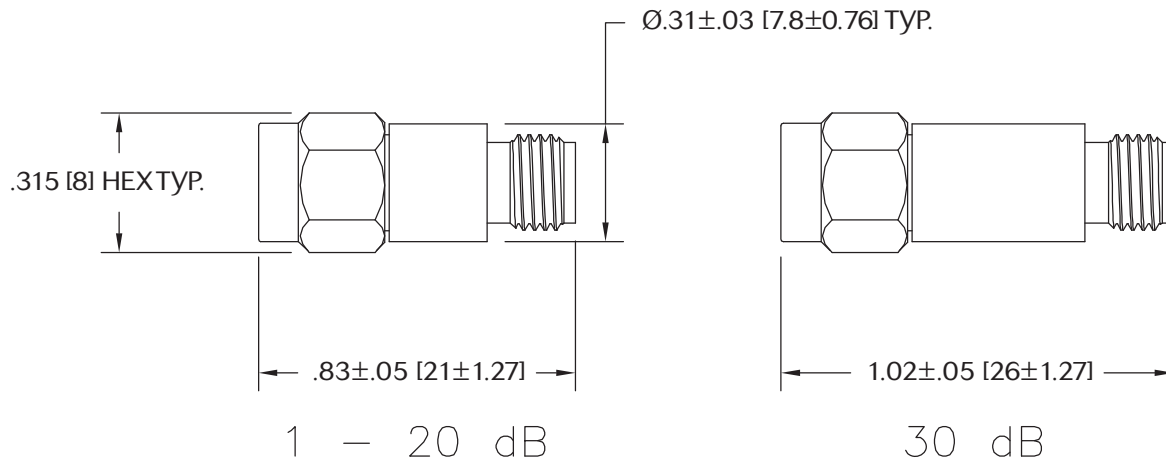
Mechanical:

SMA Connectors _____ Gold Plated Brass

Mates with MIL-STD-348

Conductors _____ Gold Plated Beryllium Copper

Dielectrics _____ PTFE



HOW TO ORDER:

Model Number: AS398-XX

dB Value

Ordering Examples:

Model Number: AS398-03

DC - 3 GHz; 3 dB; SMA - Male/Fem

Model Number: AS398-10

DC - 3 GHz; 10 dB; SMA - Male/Fem

Note: Dimensions in Brackets are Expressed in Millimeters and are for Reference Only.
Design specifications are subject to change without notice.
Contact factory for technical specifications before purchasing or use.

AS398-ATT; REV C



Aeroflex / Inmet, Inc. • 300 Dino Drive, Ann Arbor, MI 48103 • U.S.A.
888-244-6638 or 734-426-5553 • FAX: 734-426-5557
www.aeroflex.com/inmet • inmet@aeroflex.com