

ATTENUATORS

7/16 - DIN, up to 7.5 GHz, 50 Watts

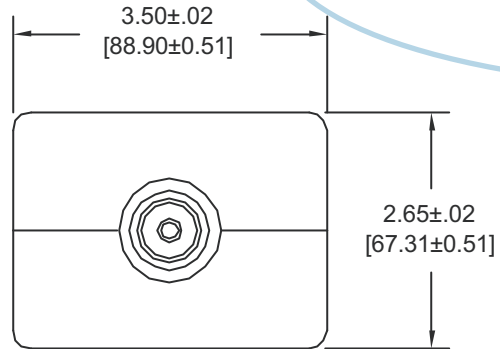
SPECIFICATIONS:

Models: XD50W-XX, XD50W-XXF & XD50W-XXM

RoHS
Compliant

Electrical:	
Frequency Range	DC - 7.5 GHz
Standard Freq. Values	2.5, 4 & 7.5 GHz
Standard dB Values	0, 3, 6, 10, 20, 30 & 40 dB
Attenuation Accuracy	
3, 6, 10 & 20 dB	±0.75 dB
30 dB	±1.0 dB
40 dB	±1.25 dB
VSWR	
DC - 4 GHz	1.25:1 Max.
4 - 7.5 GHz	1.45:1 Max.
Input Power	50 Watts Avg. @ 25°C
	Derated Linearly to 10 Watts @ +125°C
Peak Power	500 Watts Max.
	(5uSec Pulse, .05% Duty Cycle)
Impedance	50 Ohms
Operating Temp Range	-65°C to +125°C
Mechanical:	
7/16 DIN Connectors	Silver or White Bronze Plated Brass
	Mates with DIN 47 223
Conductors	Silver or White Bronze Plated Beryllium Copper
Housing	Anodized Aluminum

AEROFLEX
A passion for performance.



END VIEW
TYPICAL

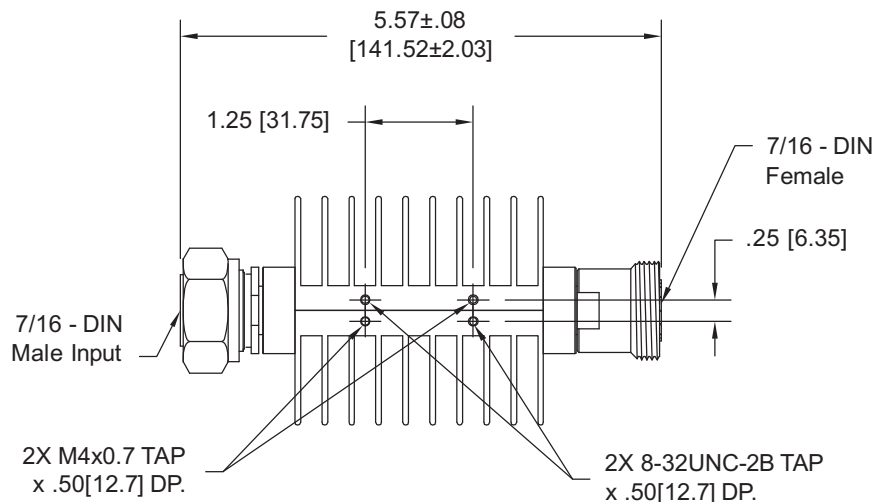
Units must be Mounted in such a way as to Allow for Free Air Flow Around fins to Insure Performance

Note: Units are Unidirectional, Therefore Input Connector MUST be Specified & will be Indicated on Unit

Model Number: **XD50W-XX**
Male/Female Connectors
As Pictured

Model Number: **XD50W-XXF**
Female/Female Connectors
Length: 5.70±.08 [144.8 ±2.0]

Model Number: **XD50W-XXM**
Male/Male Connectors
Length: 5.44 ±.08 [138.2 ±2.0]



HOW TO ORDER:

Model Number: **XD50W-XXY**

Freq. Range
2 = DC - 2.5 GHz
4 = DC - 4 GHz
7 = DC - 7.5 GHz

Connector Configuration
= Male/Female (Male Input)
F = Fem/Fem
M = Male/Male
FM = Female/Male (Female Input)
dB Value

Ordering Examples:

Model Number: **7D50W-20**
DC - 7.5 GHz; 20 dB; 7/16 - DIN; Male/Fem (Male Input)

Model Number: **2D50W-3F**
DC - 2.5 GHz; 3 dB; 7/16 - DIN; Fem/Fem

Model Number: **4D50W-10FM**
DC - 4.0 GHz; 10 dB; 7/16 - DIN; Fem/Male (Female Input)

Note: Dimensions in Brackets are Expressed in Millimeters and are for Reference Only.
Design specifications are subject to change without notice.

Contact factory for technical specifications before purchasing or use.

7D50W-ATT: REV N

AEROFLEX
INMET

Aeroflex / Inmet, Inc. 300 Dino Drive, Ann Arbor, MI 48103 • U.S.A.
888-244-6638 or 734-426-5553 • FAX: 734-426-5557
www.aeroflex.com/inmet • inmet-sales@eroflex.com