

ATTENUATOR SETS

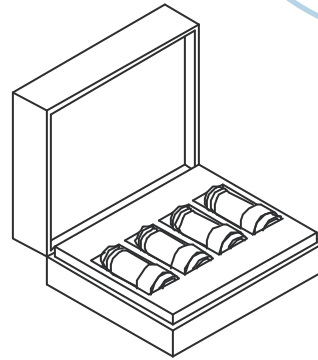
SMA, Type N, 2.9mm, & 2.4mm, up to 50 GHz

RoHS
Compliant

SPECIFICATIONS:

Models: 9401-9408, 9411-9416, 9473 & 9477

Electrical:	
Frequency Range _____	See Table
Standard dB Values _____	See Table
or create your own set from dB values of your choice	
Power Handling	
Models 9401 - 9412 9473 & 9477 _____	2 Watts Avg. @ +25°C
Models 9413 - 9416 _____	0.5 Watt Avg. @ +25°C
Calibration Data Included.	
Uniform Phase Characteristics & Excellent Unit-to-Unit Linearity with Frequency.	
Mechanical:	
SMA, 2.4mm & Type N Connectors _____	Mates with MIL-STD-348
2.9mm Connectors _____	Mates both Mechanically & Electrically with all SMA, K*, & 3.5mm Series Connectors.
Refer to the Appropriate Outline Drawing for Further Information on Individual Attenuator Specifications.	
* K is a Trademark of Anritsu Corp.	



Model 9401 Shown

AEROFLEX
A passion for performance.

TABLE

MODEL NUMBER	CONN. TYPE	FREQUENCY RANGE	ATTENUATOR MODEL NO.	STANDARD dB VALUES
9401	Type N	DC - 18 GHz	18N-XXdB	3, 6, 10 & 20 dB
9402	Type N	DC - 12.4 GHz	12N-XXdB	3, 6, 10 & 20 dB
9403	SMA	DC - 18 GHz	18A-XXdB	3, 6, 10 & 20 dB
9404	SMA	DC - 12.4 GHz	12A-XXdB	3, 6, 10 & 20 dB
9405	Type N	DC - 18 GHz	18N-XXdB	1, 3, 6, 10, 20 & 30 dB
9406	Type N	DC - 12.4 GHz	12N-XXdB	1, 3, 6, 10, 20 & 30 dB
9407	SMA	DC - 18 GHz	18A-XXdB	1, 3, 6, 10, 20 & 30 dB
9408	SMA	DC - 12.4 GHz	12A-XXdB	1, 3, 6, 10, 20 & 30 dB
9411	2.9mm	DC - 26.5 GHz	26A-XXdB	3, 6, 10 & 20 dB
9412	2.9mm	DC - 26.5 GHz	26A-XXdB	1, 3, 6, 10, 20 & 30 dB
9413	2.9mm	DC - 40 GHz	40A-XXdB	3, 6, 10 & 20 dB
9414	2.9mm	DC - 40 GHz	40A-XXdB	1, 3, 6, 10, 20 & 30 dB
9415	2.4mm	DC - 40 GHz	40EH-XXdB	3, 6, 10 & 20 dB
9416	2.4mm	DC - 50 GHz	50EH-XXdB	3, 6, 10 & 20 dB
9473	SMA	DC - 23 GHz	23DH-XXdB	1, 3, 6, 10, 20 & 30 dB
9477	SMA	DC - 23 GHz	23AH-XXdB	1, 3, 6, 10, 20 & 30 dB

Note: Dimensions in Brackets are Expressed in Millimeters and are for Reference Only.

401-4000: REV G

AEROFLEX
INMET

Aeroflex / Inmet, Inc. 300 Dino Drive, Ann Arbor, MI 48103 • U.S.A.
888-244-6638 or 734-426-5553 • FAX: 734-426-5557
www.aeroflex.com/inmet • inmet-sales@eroflex.com