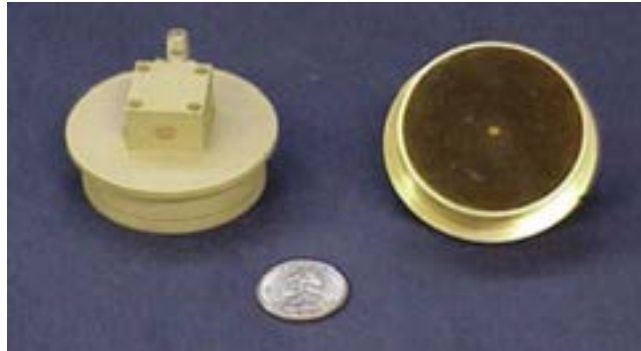
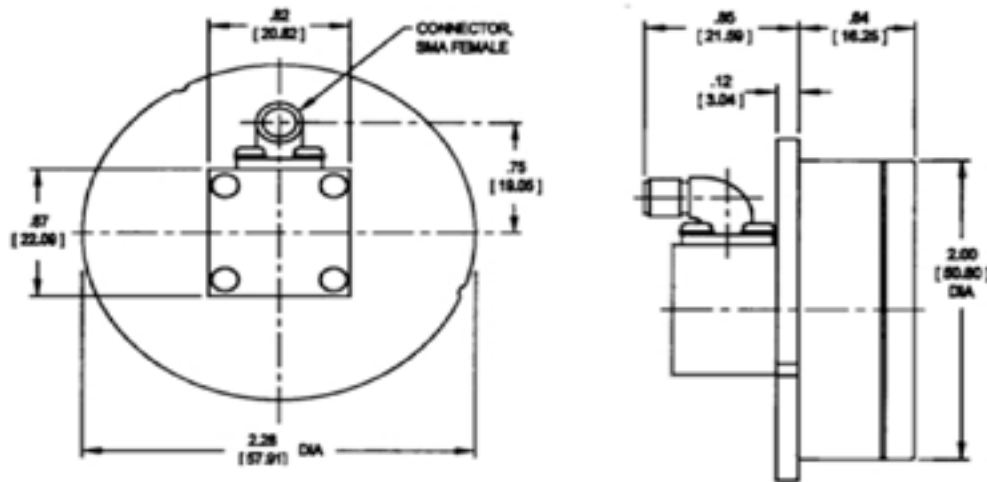


Model 9C40800 Low Profile Spiral

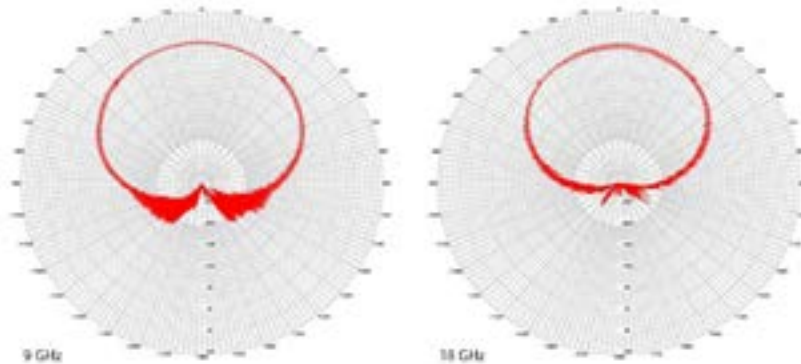
CAES announces a new low profile spiral antenna for airborne Electronic Warfare (EW) to be employed in a radar warning receiver or direction finding application. Model 9C40800 provides wideband, high efficiency performance in an extremely compact package. The antenna mechanical envelope is a 2-inch diameter by 1.5-inch deep cylinder, including the antenna housing and coaxial connector. It operates over the 2.0 to 18.0 GHz frequency range with a nominal VSWR of less than 2.0:1. Model 9C40800 is available in amplitude matched sets. Other similar models are also available; contact us to discuss your specific requirements.



PHYSICAL CONFIGURATION



SAMPLE RADIATION PATTERNS



Model 9C40800 Low Profile Spiral

FEATURES :

- Broad Bandwidth
- Gain Tracked Sets
- Pattern Symmetry
- Low Axial Ratio
- Light Weight
- Compact Size

FREQUENCY RANGE:

- 2.0 to 18.0 GHz

VSWR:

- 2.5 : 1 max., 2.0 : 1 nominal

GAIN :

(Boresight) measured at the minimum of ellipticity ratio

- 2 GHz -9 dBiL
- 5.5 GHz 0 dBiL
- 18 GHz 0 dBiL

3 dB BEAMWIDTH (nominal):

- 75°

BEAM SQUINT:

- ±5° max.

POLARIZATION:

- LHCP (RHCP available)

AXIAL RATIO:

- 3 dB max., 1.5 dB nominal

RF POWER:

- 2 Watts CW

WEIGHT:

- 1.7 oz.

INPUT:

- SMA Female