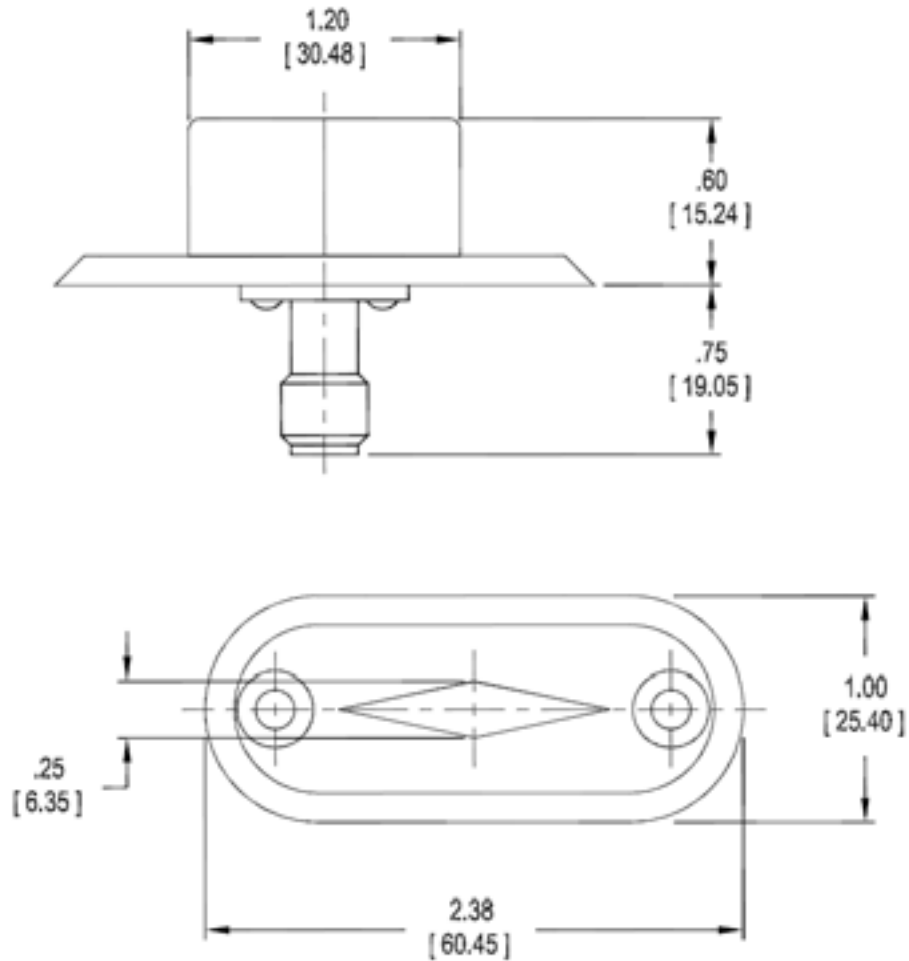


Model 13D04100 Monopole Blade Stub

Model 13D04100 is a low profile quarter-wave monopole stub antenna integrated with a stream-lined radome. The antenna has omni-directional radiation patterns in azimuth and an elevation beamwidth of 30 degrees when mounted on a one foot diameter ground plane. This unit is recommended for low-cost, expendable applications. Various mounting arrangements and protective cover shapes are available.

PHYSICAL CONFIGURATION



Model 13D04100 Monopole Blade Stub

- FEATURES :**
- Low Cost
 - Omnidirectional Radiation
 - Airborne Application
 - Radome Integration
-

- FREQUENCY RANGE:**
- 4 to 7 GHz
-

- VSWR:**
- 2 : 1 max.
-

- POLARIZATION:**
- Vertical
-

- NOMINAL GAIN:**
- ± 4 dBiL (on 1 ft. diameter ground plane)
-

- RF POWER:**
- 30 Watts CW
-

- WEIGHT:**
- 2 oz.
-

- INPUT**
- .TNC Jack
-

